

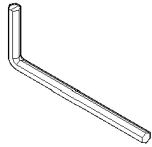
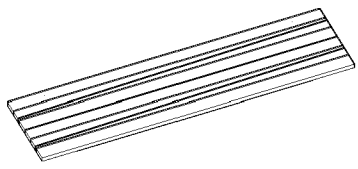
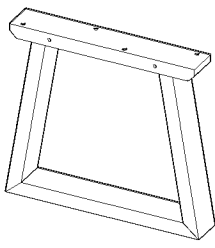
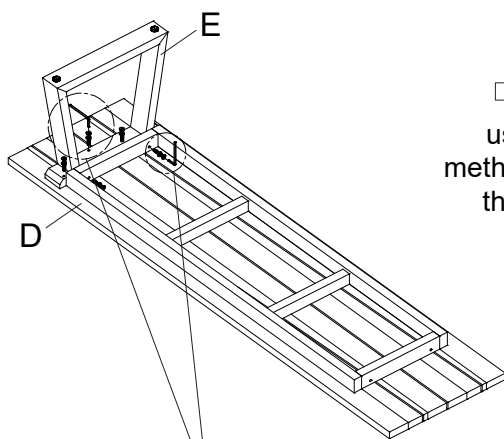
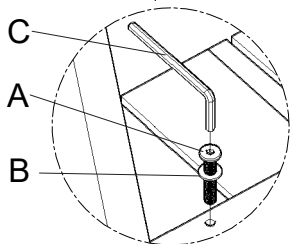
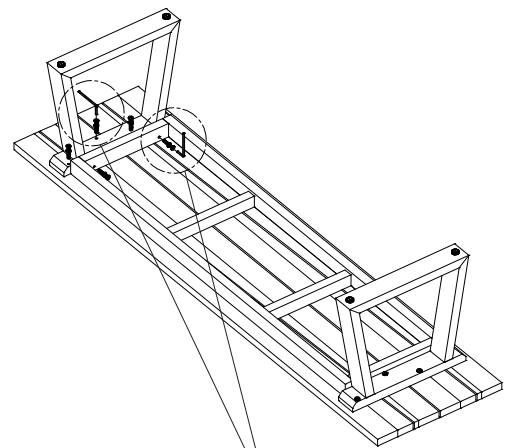


Assembly instruction

A	B	C	D	E
				
JCBC 45xM8	Ring 17x8.5x2	Key L5		
12PCS	12PCS	1PC	1PC	2PCS



use the same method to assemble the other side.



Please always use the JCBC and ring.

Don't tighten the JCBC and ring until you have all screws on.

