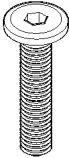
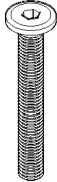
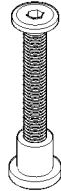
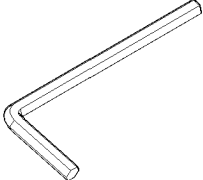
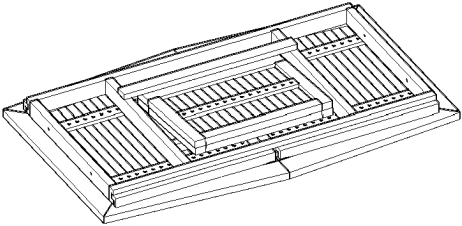
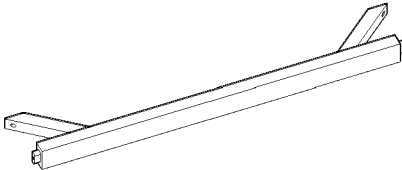
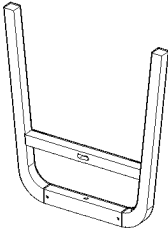
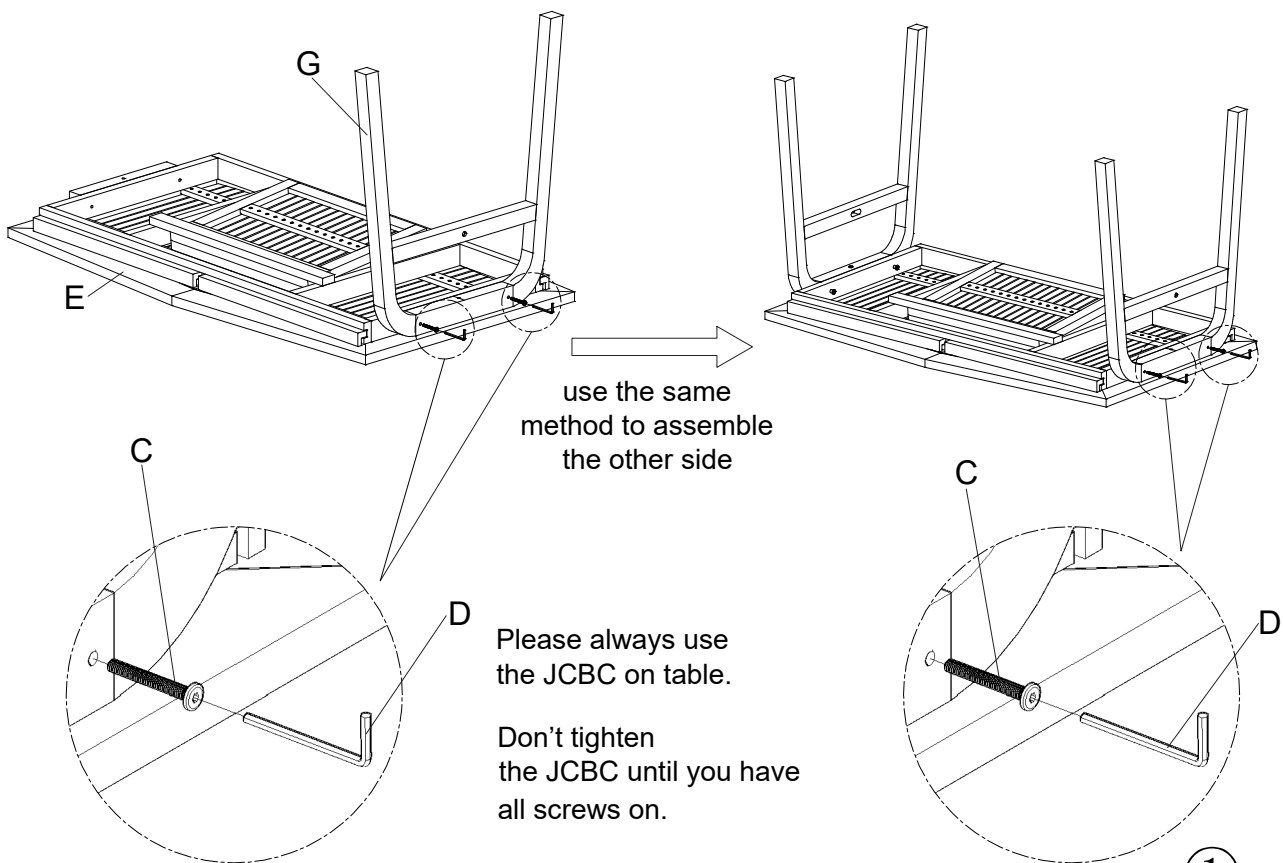
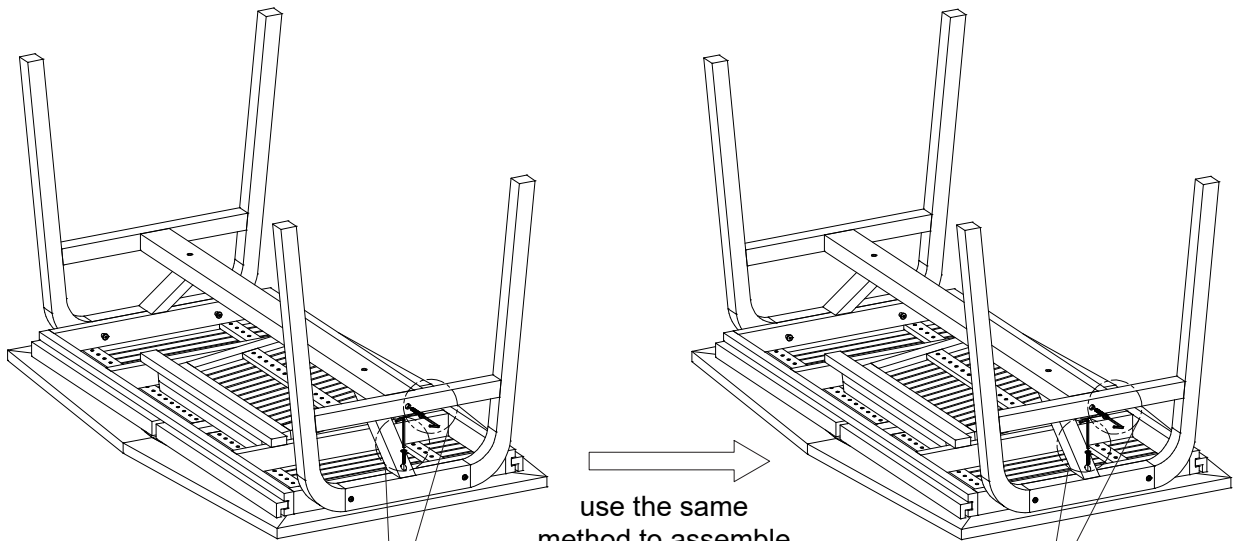


Assembly instruction

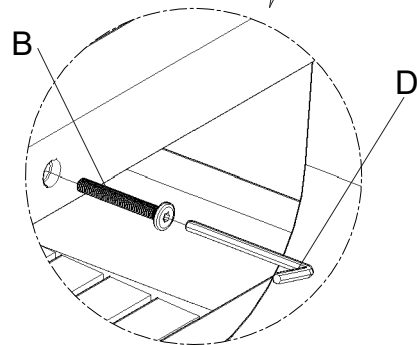
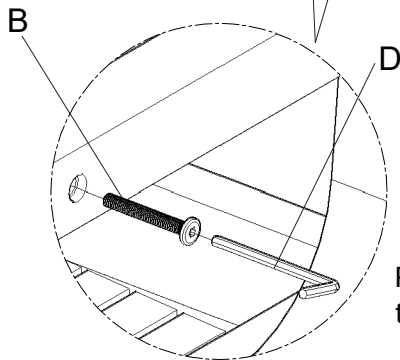
A	B	C	D
 <p>JCBC 30xM6</p>	 <p>JCBC 50xM6</p>	 <p>JCBC 55xM6 + Stipen SS</p>	 <p>Key L4</p>
2PCS	2PCS	4PCS	1PC
E		F	G
			
1PC		1PC	2PCS



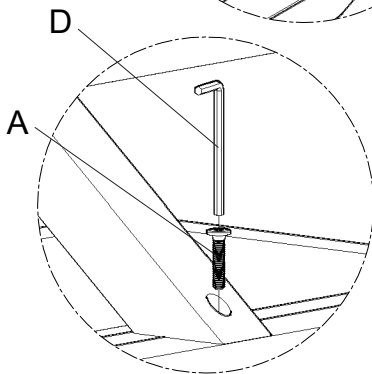
Assembly instruction



use the same method to assemble the other side



Please always use the JCBC on table.



Don't tighten the JCBC until you have all screws on.

