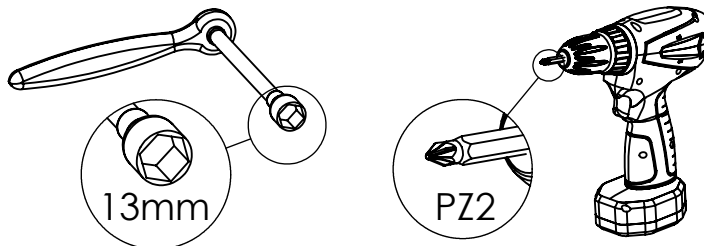
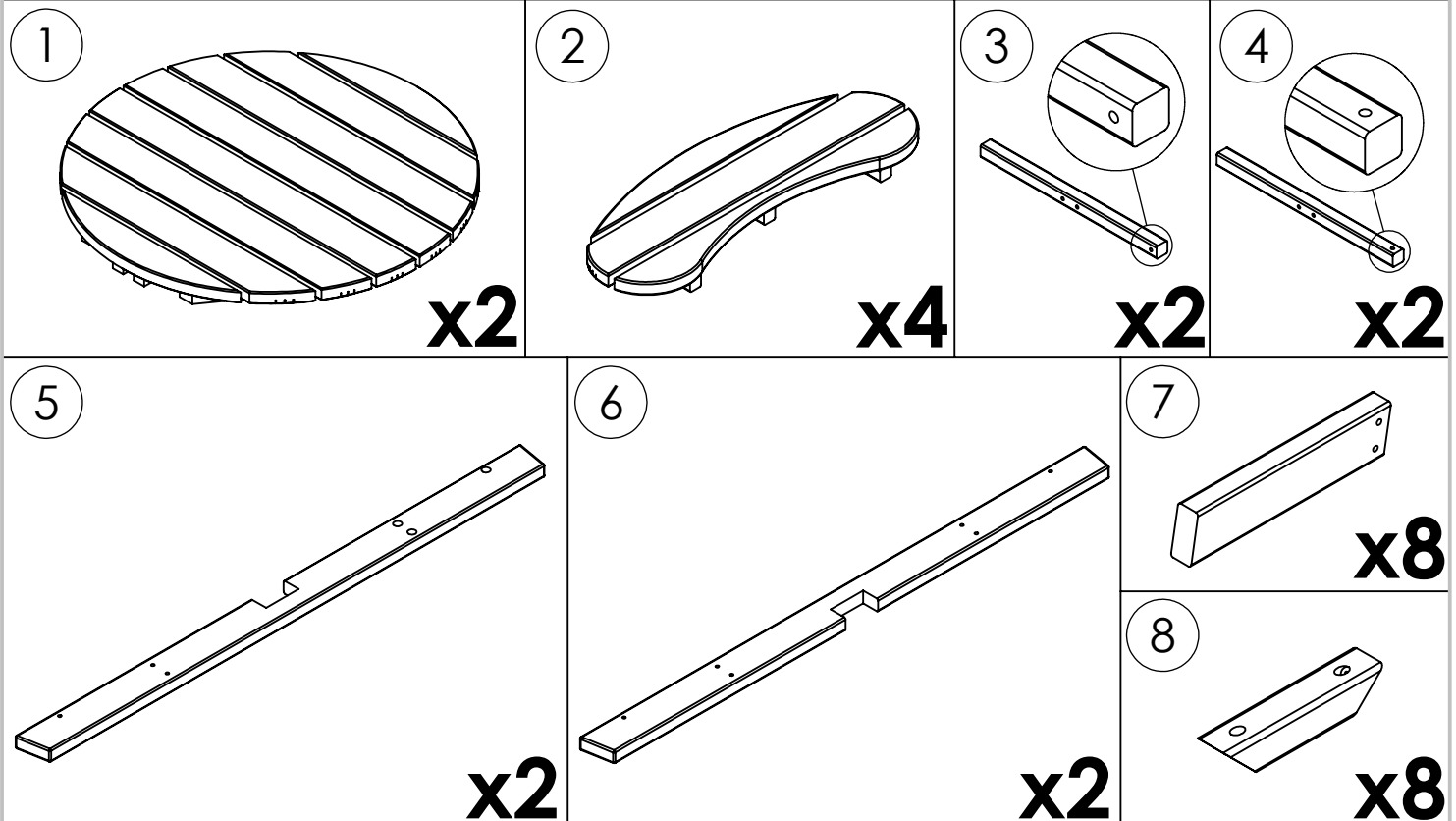
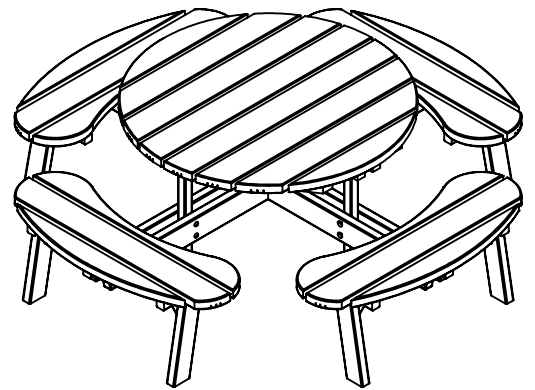
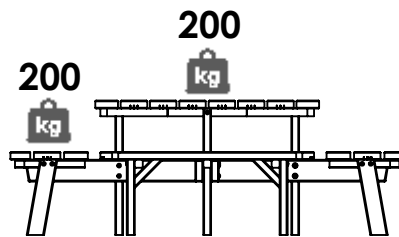
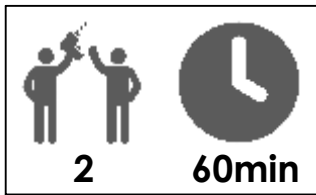


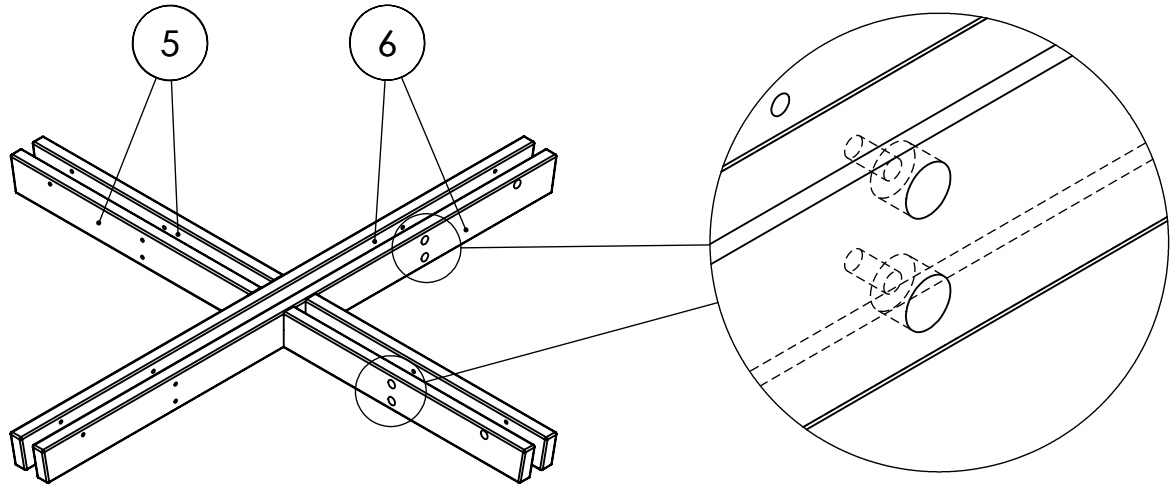
## Assembly instruction



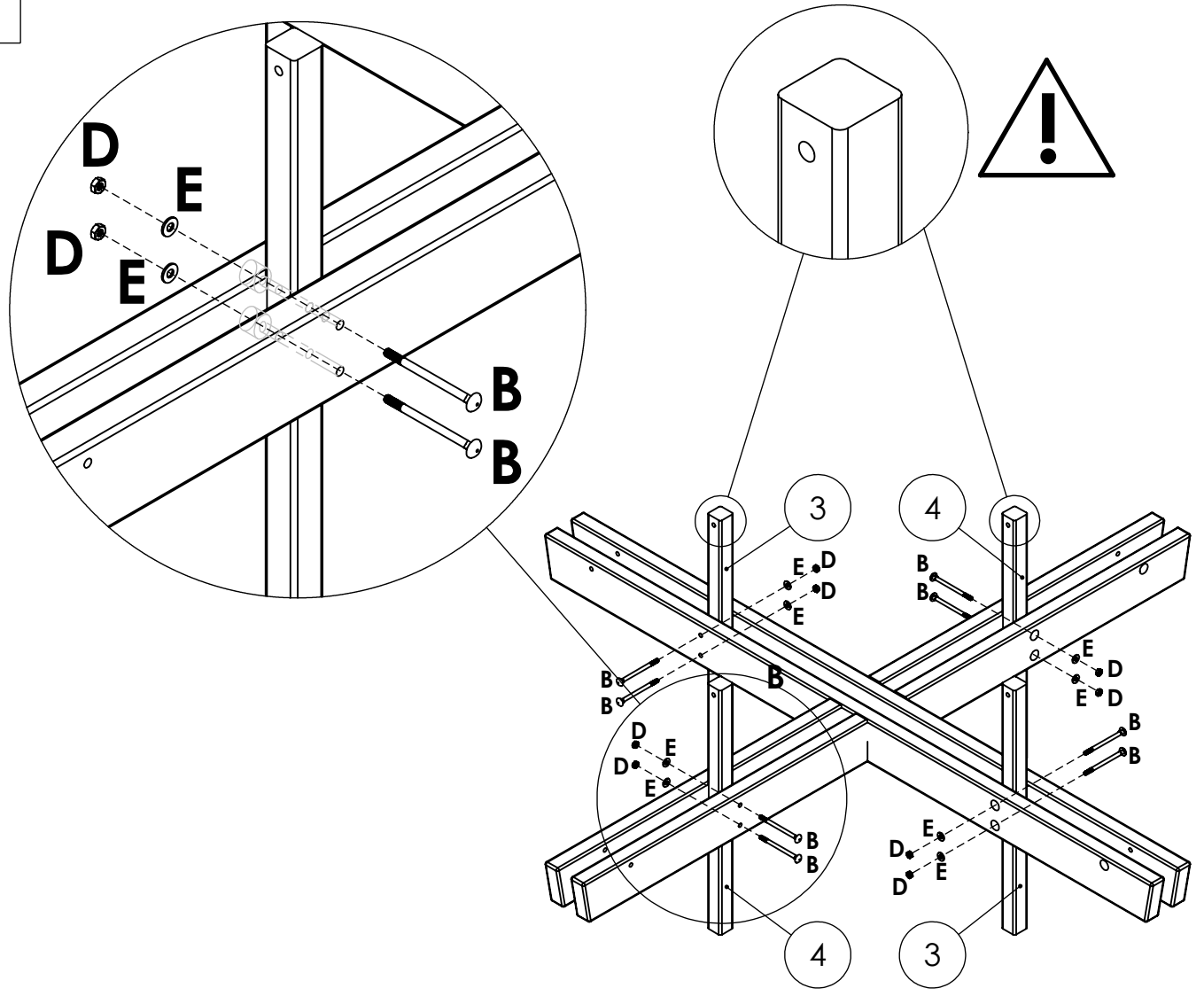
**IMPORTANT!**  
Do not tighten screws during assembly.  
All screws must be tightened up only at the end of assembly.

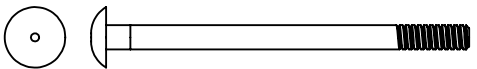


<b>A</b>		<b>M8x80</b>	<b>x18</b>
<b>B</b>		<b>M8x120</b>	<b>x14</b>
<b>C</b>		<b>5x50</b>	<b>x16</b>
<b>D</b>		<b>M8</b>	<b>x32</b>
<b>E</b>		<b>M8</b>	<b>x32</b>

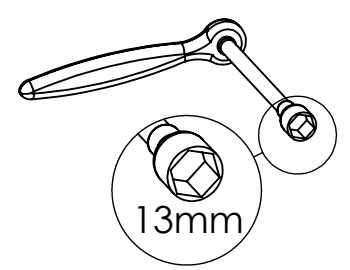
1



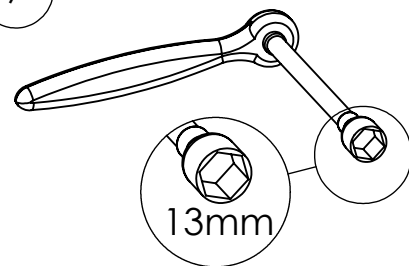
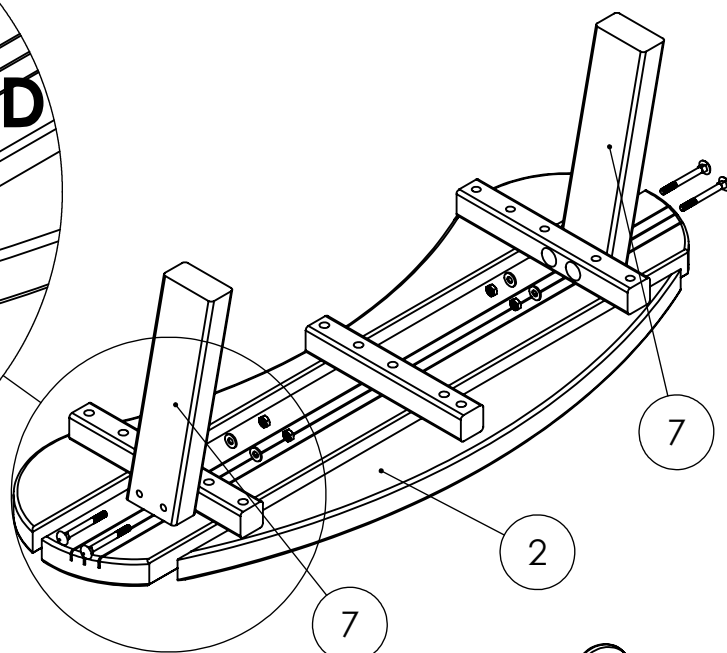
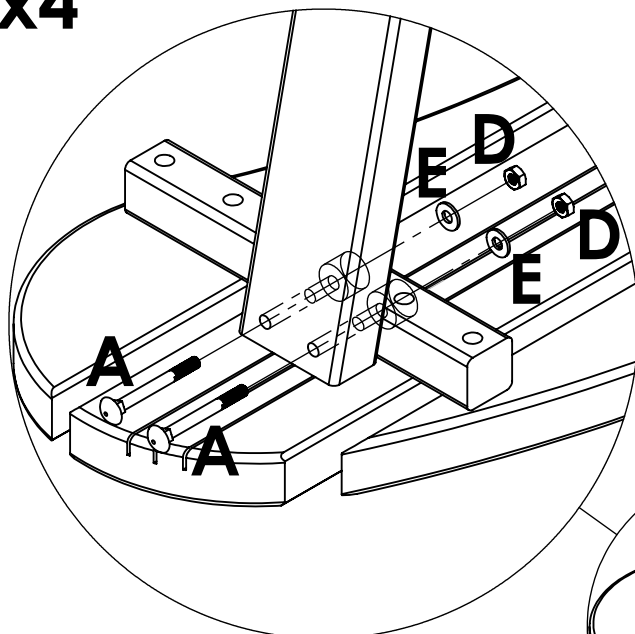
2






<b>B</b>		<b>M8x120</b>	<b>x8</b>
<b>D</b>		<b>M8</b>	<b>x8</b>
<b>E</b>		<b>M8</b>	<b>x8</b>

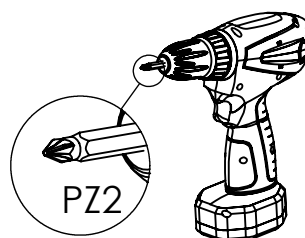
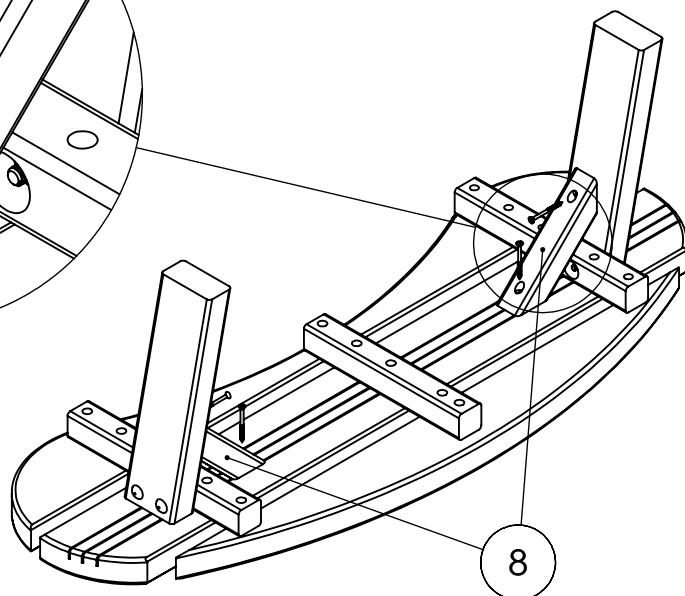
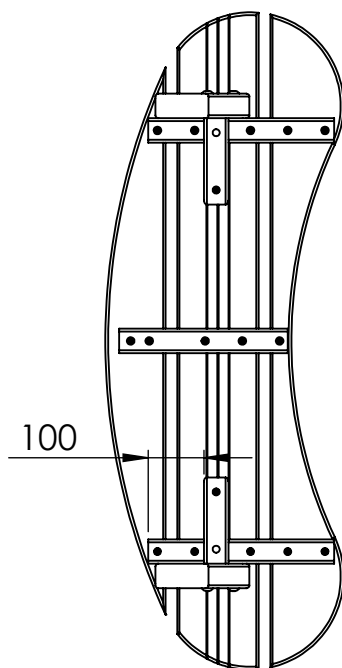
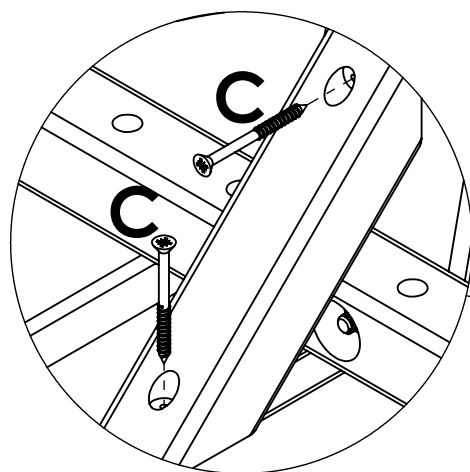



3 x4

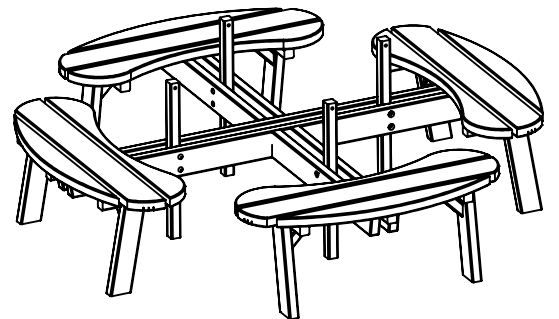
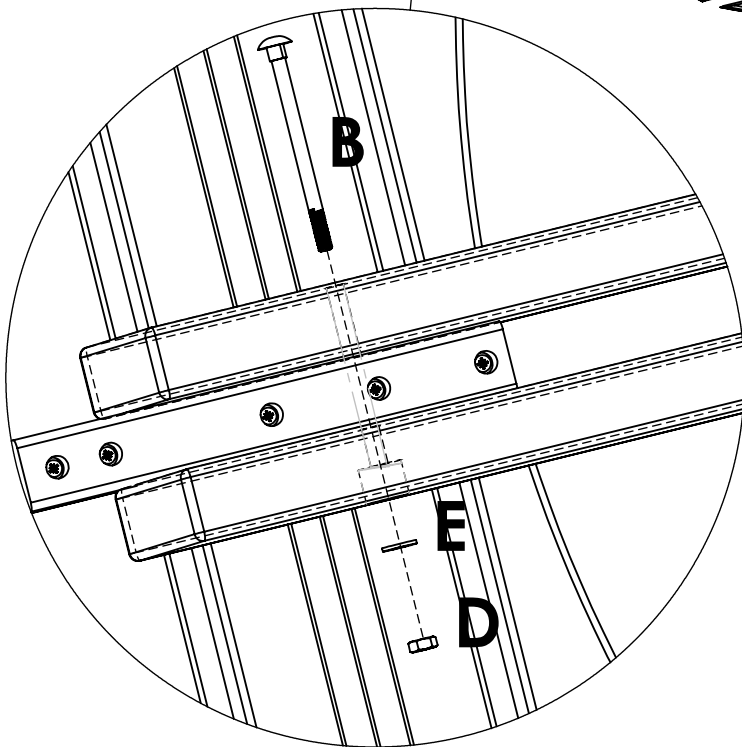
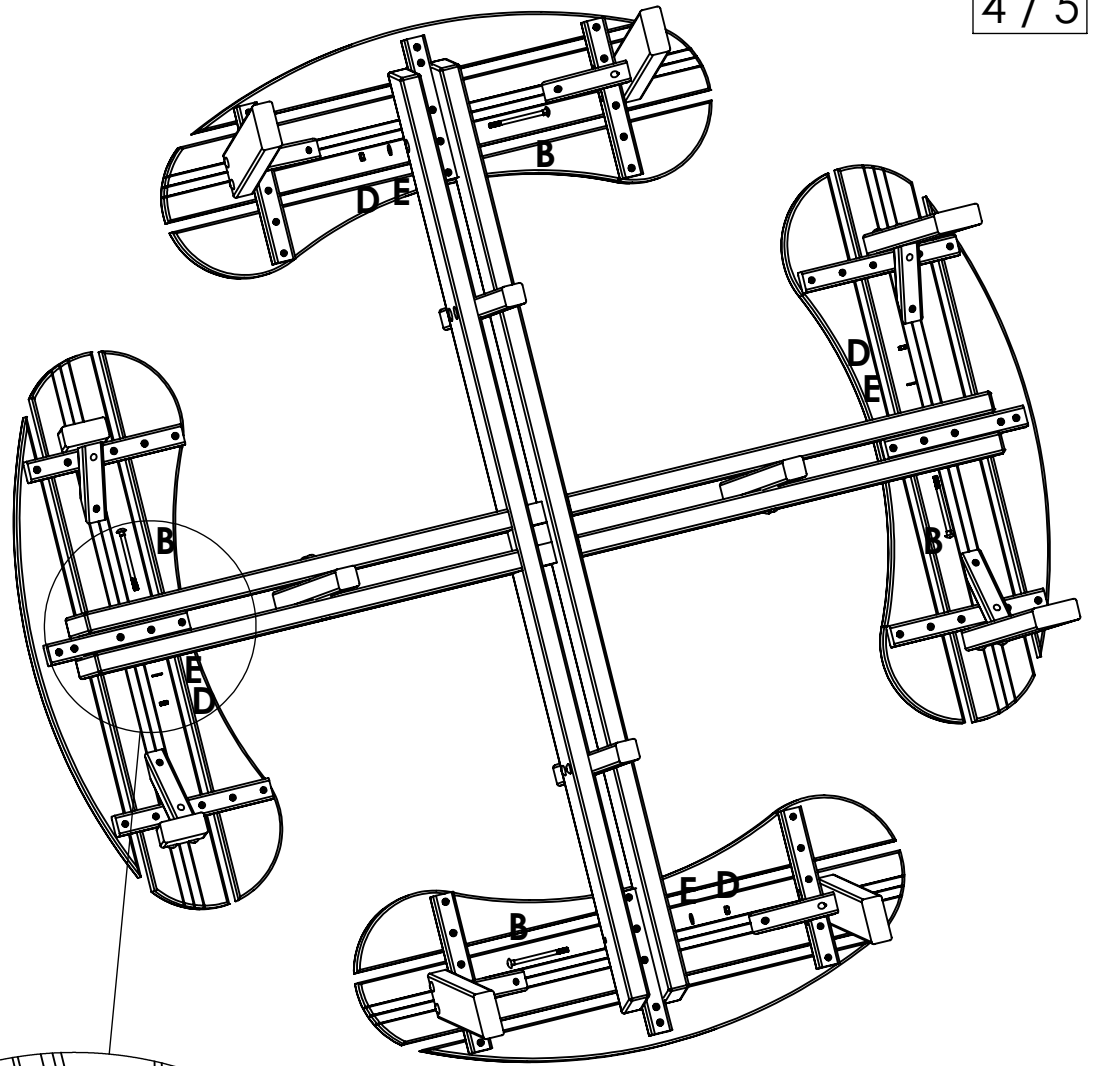


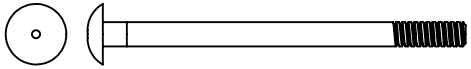


A		M8x80	x4
D		M8	x4
E		M8	x4

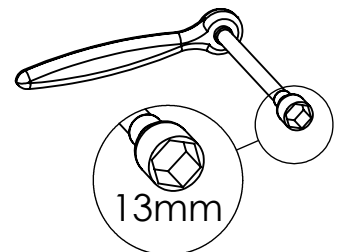
4 x4



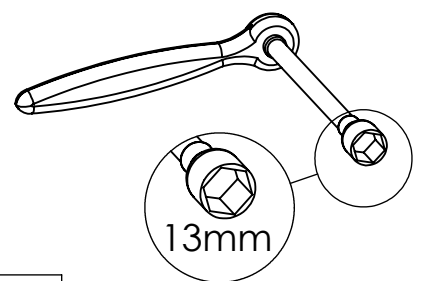
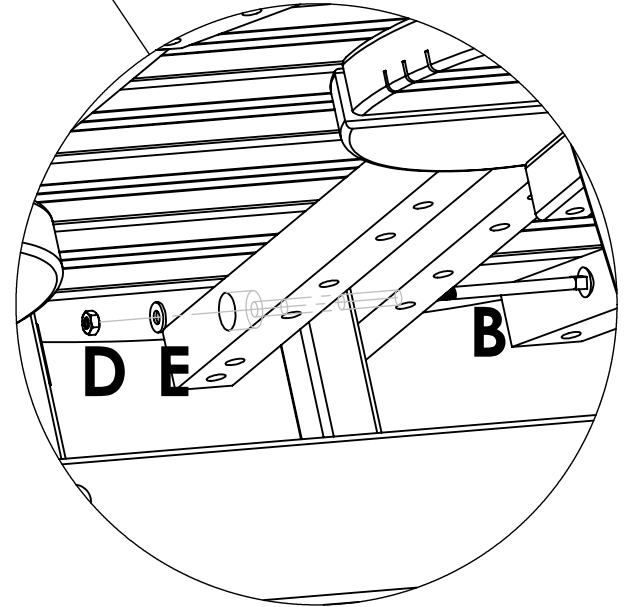
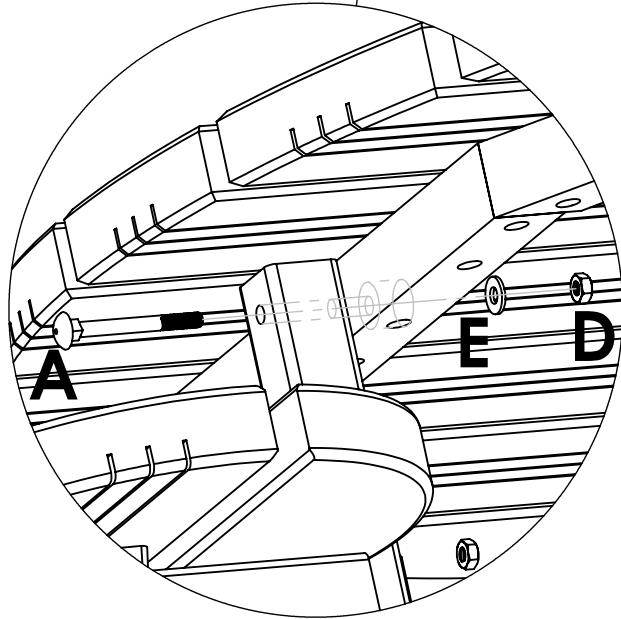
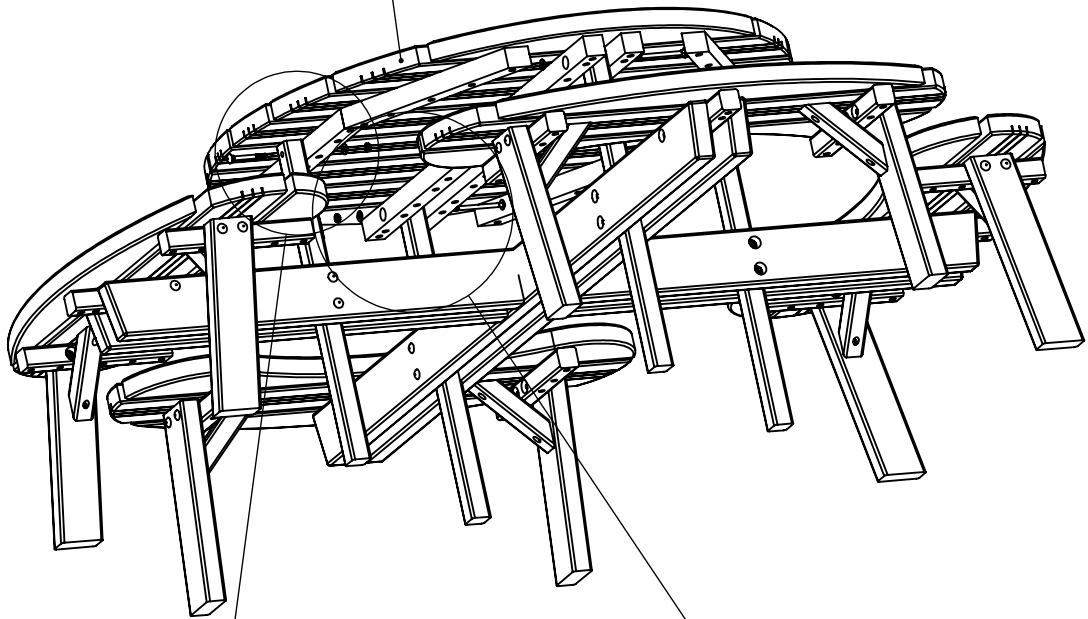
C		5x50	x4
---	---	------	----

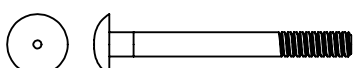
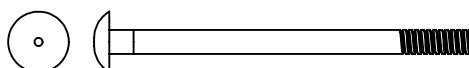




<b>B</b>		<b>M8x120</b>	<b>x4</b>
<b>D</b>		<b>M8</b>	<b>x4</b>
<b>E</b>		<b>M8</b>	<b>x4</b>



1



<b>A</b>		<b>M8x80</b>	<b>x2</b>
<b>B</b>		<b>M8x120</b>	<b>x2</b>
<b>D</b>		<b>M8</b>	<b>x4</b>
<b>E</b>		<b>M8</b>	<b>x4</b>