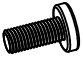
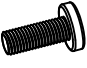
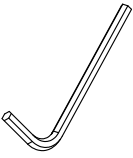
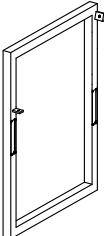
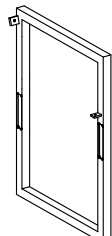
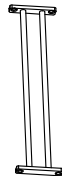
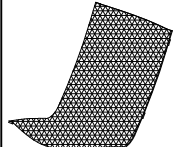
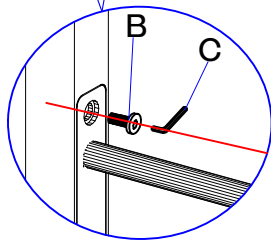
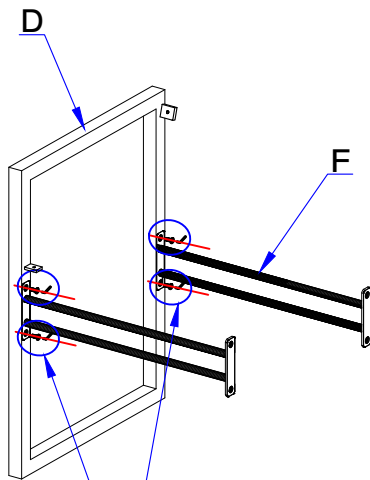
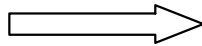


Assembly instruction

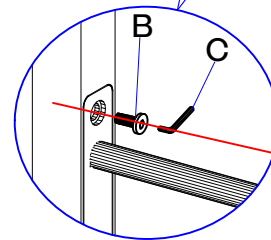
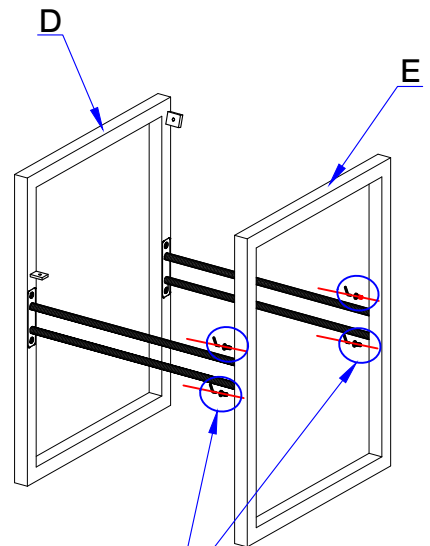
A	B	C	D	E	F	G	
A-bag screws	B-bag screws						
Screw with plastic end 							
M6*12	M6*15	4MM					
4PCS	8PCS	1PC	1PC	1PC	2PCS	1PC	



Use B-bag screws

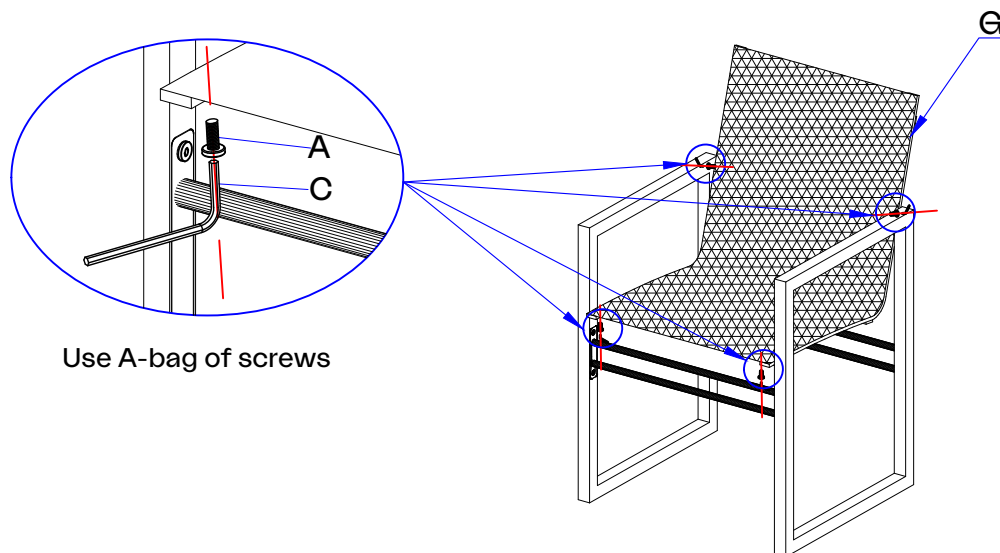


Use the same method to assemble the other side



Use B-bag screws

Don't tighten the screws until you have all screws on.



Please always use the
screw "A" on seat.
use the same method to
assemble the other side

