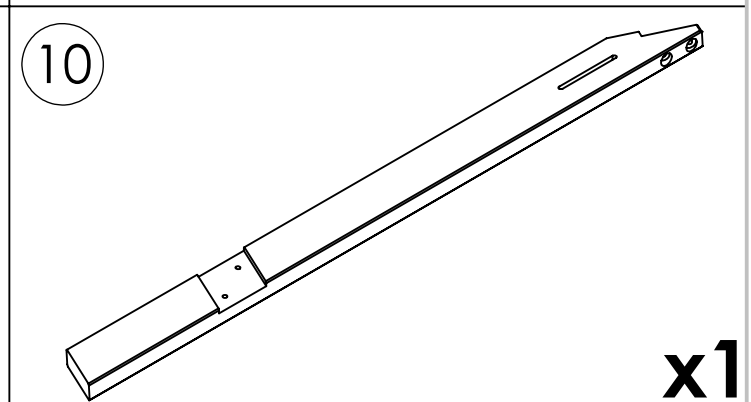
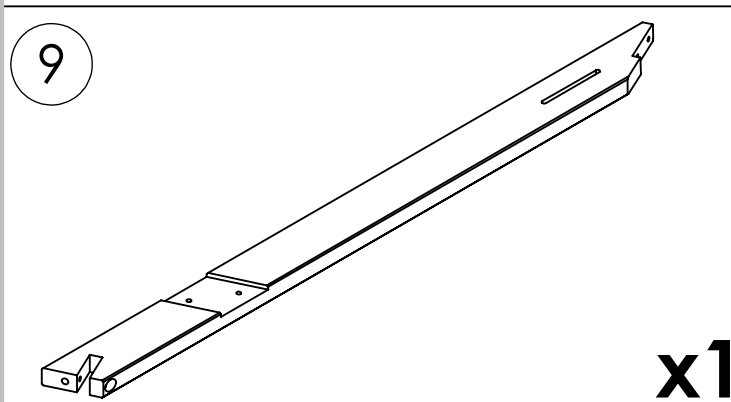
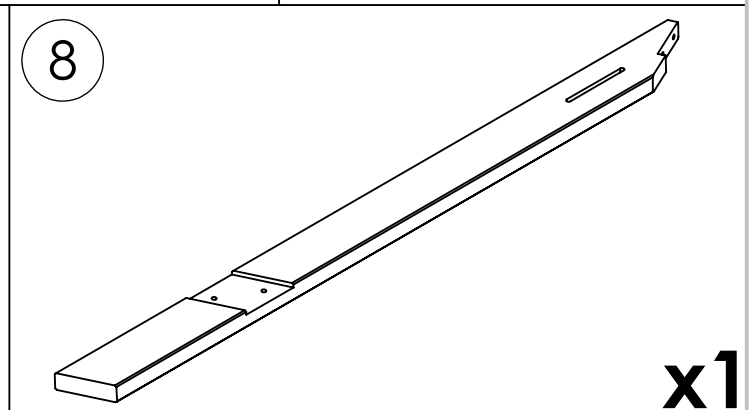
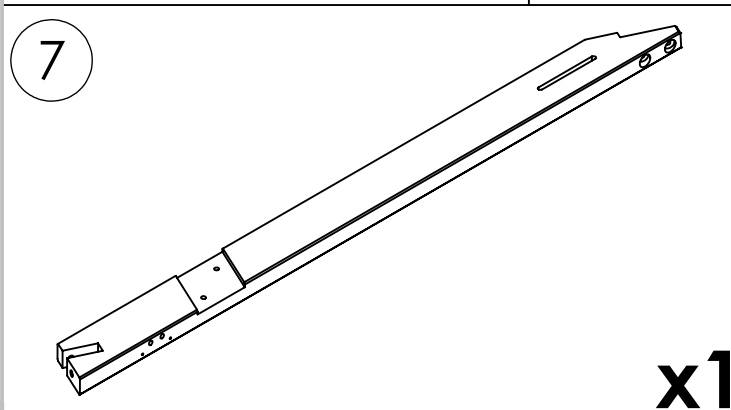
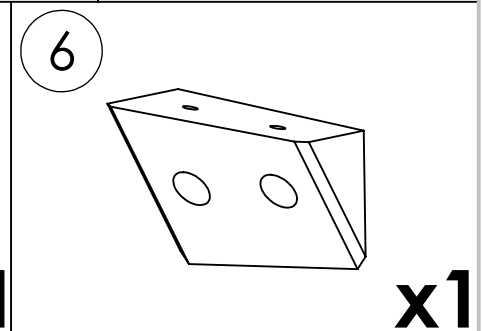
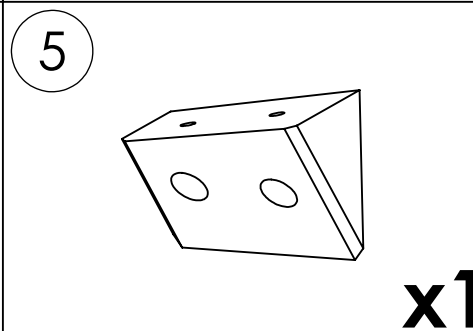
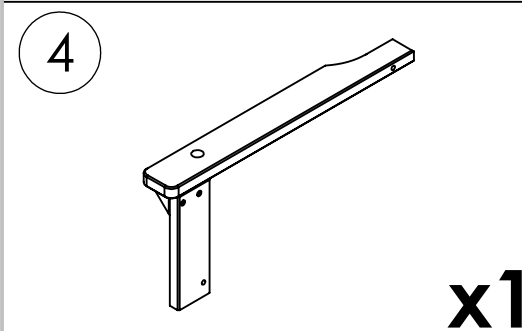
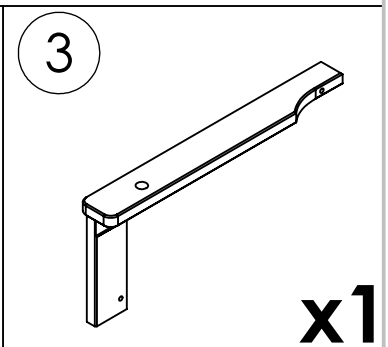
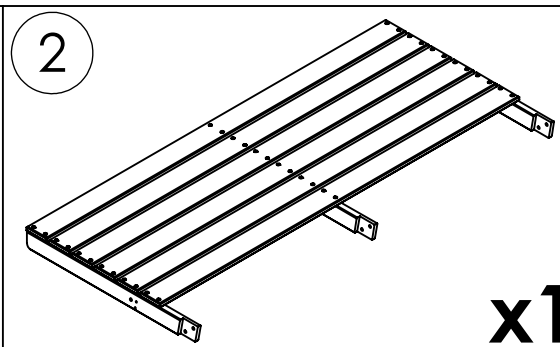
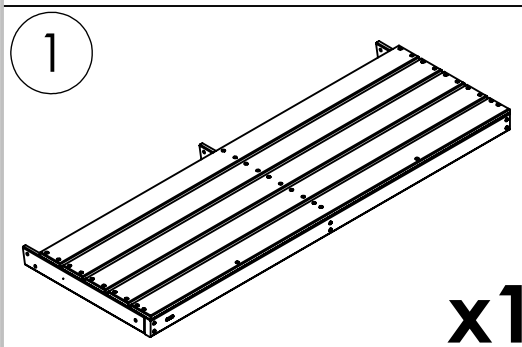
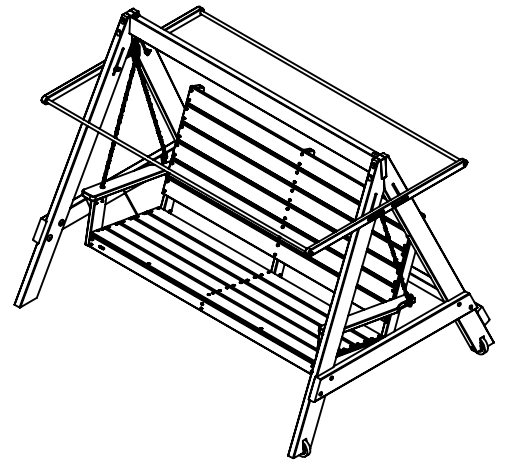
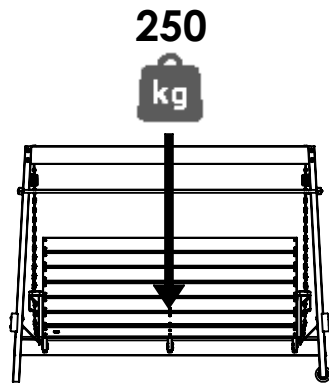
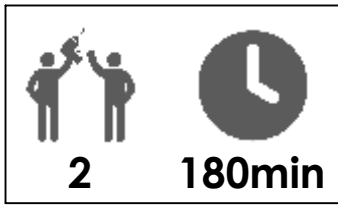
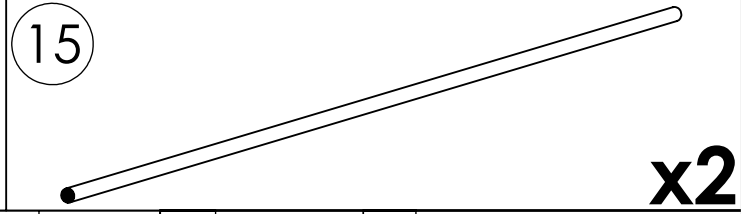
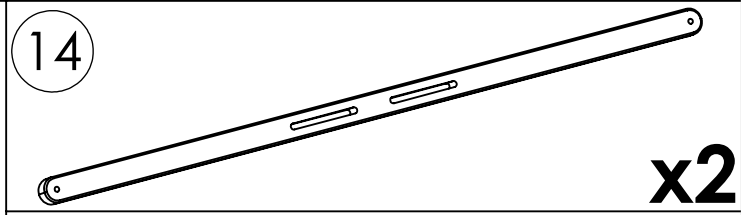
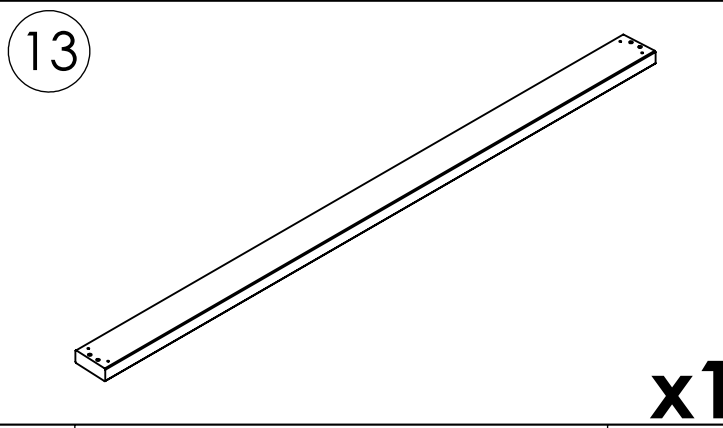
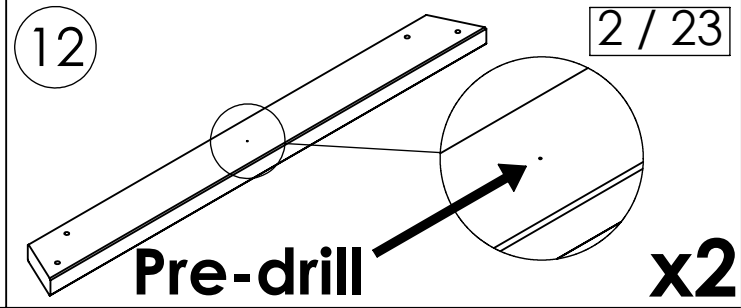
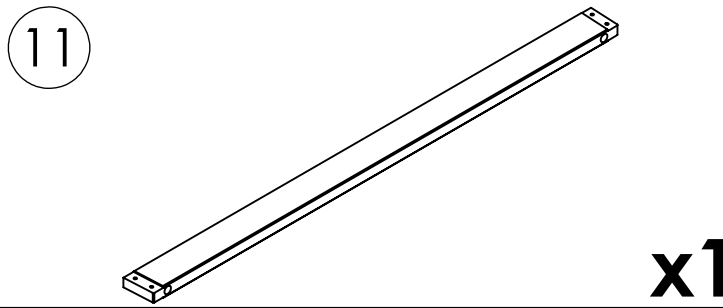
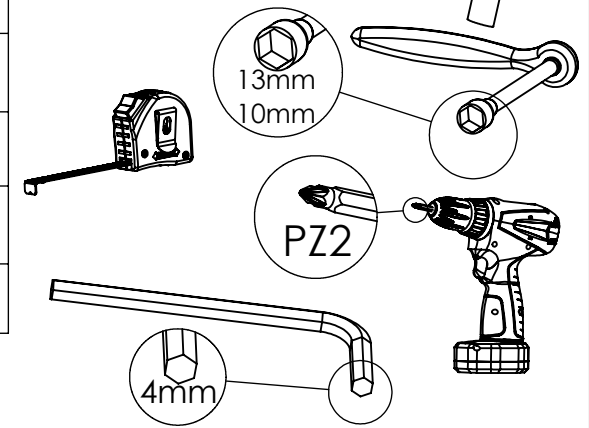
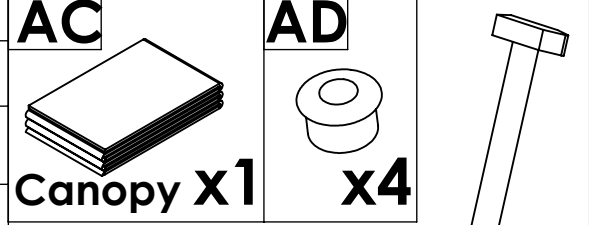
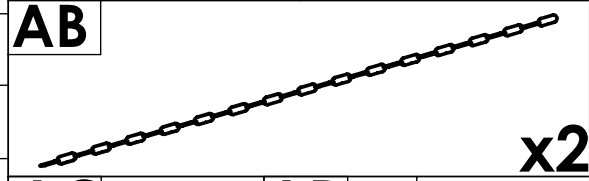
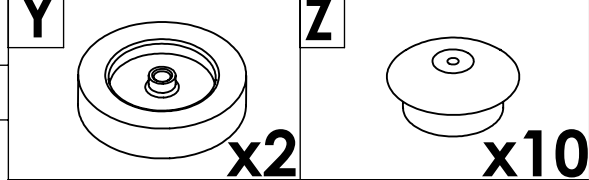
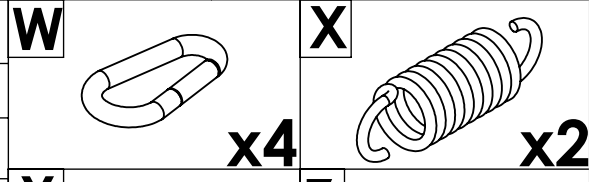
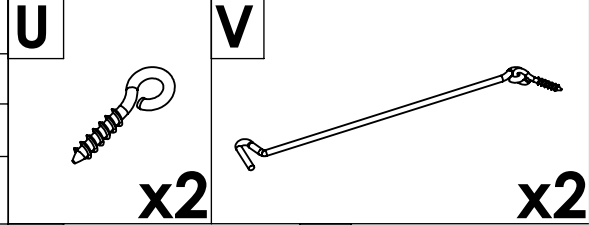


Assembly instruction

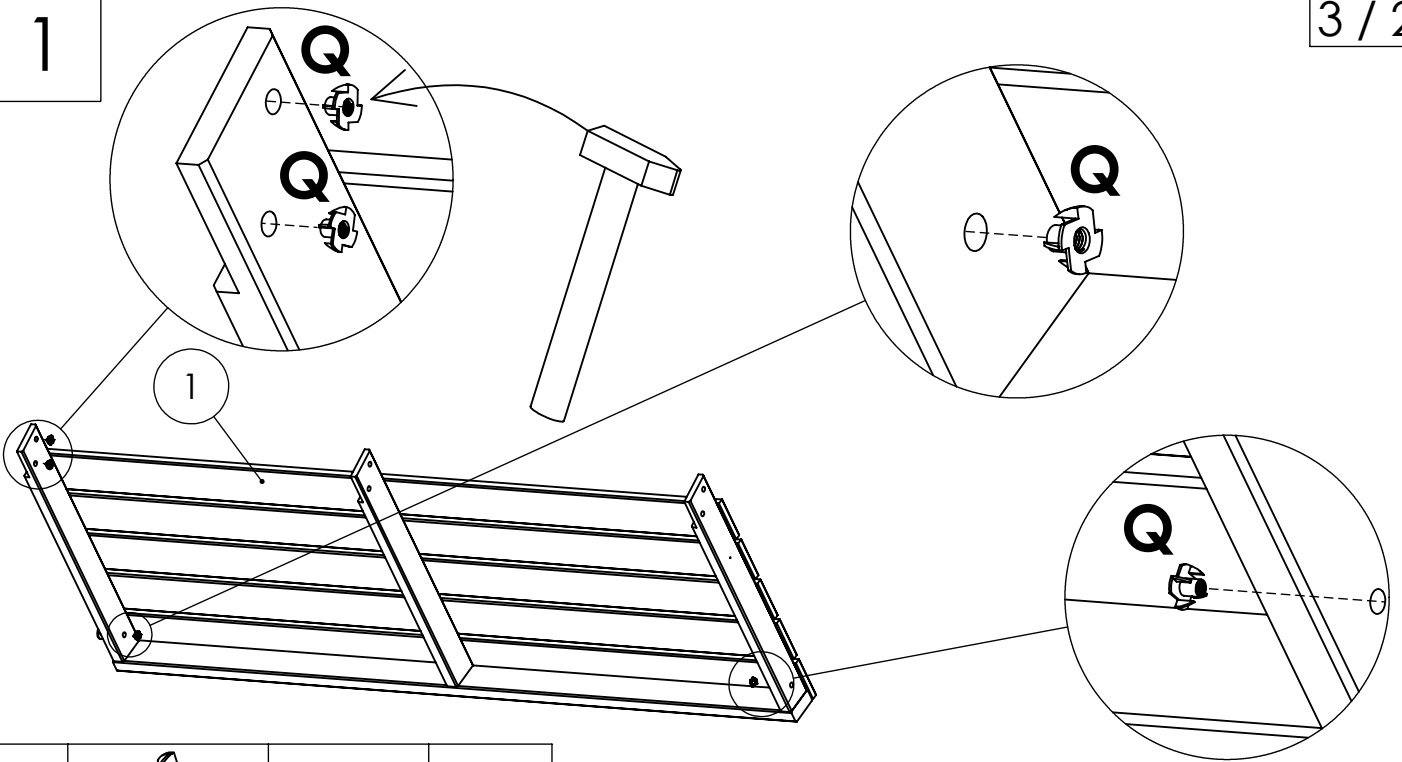




A		5x35	x2
B		5x40	x2
C		5x60	x4
D		M8x70	x8
E		M8x90	x4
F		M8x30	x6
G		M8x90	x4
H		M8x140	x2
I		M6x50	x4
J		M8x60	x2
K		M8x100	x4
L		M8	x24
M		M8	x2
N		M8	x12
O		M8	x2
P		M8	x4
Q		M8	x10
R		10x50	x4
S		M6	x4
T		6x70	x4

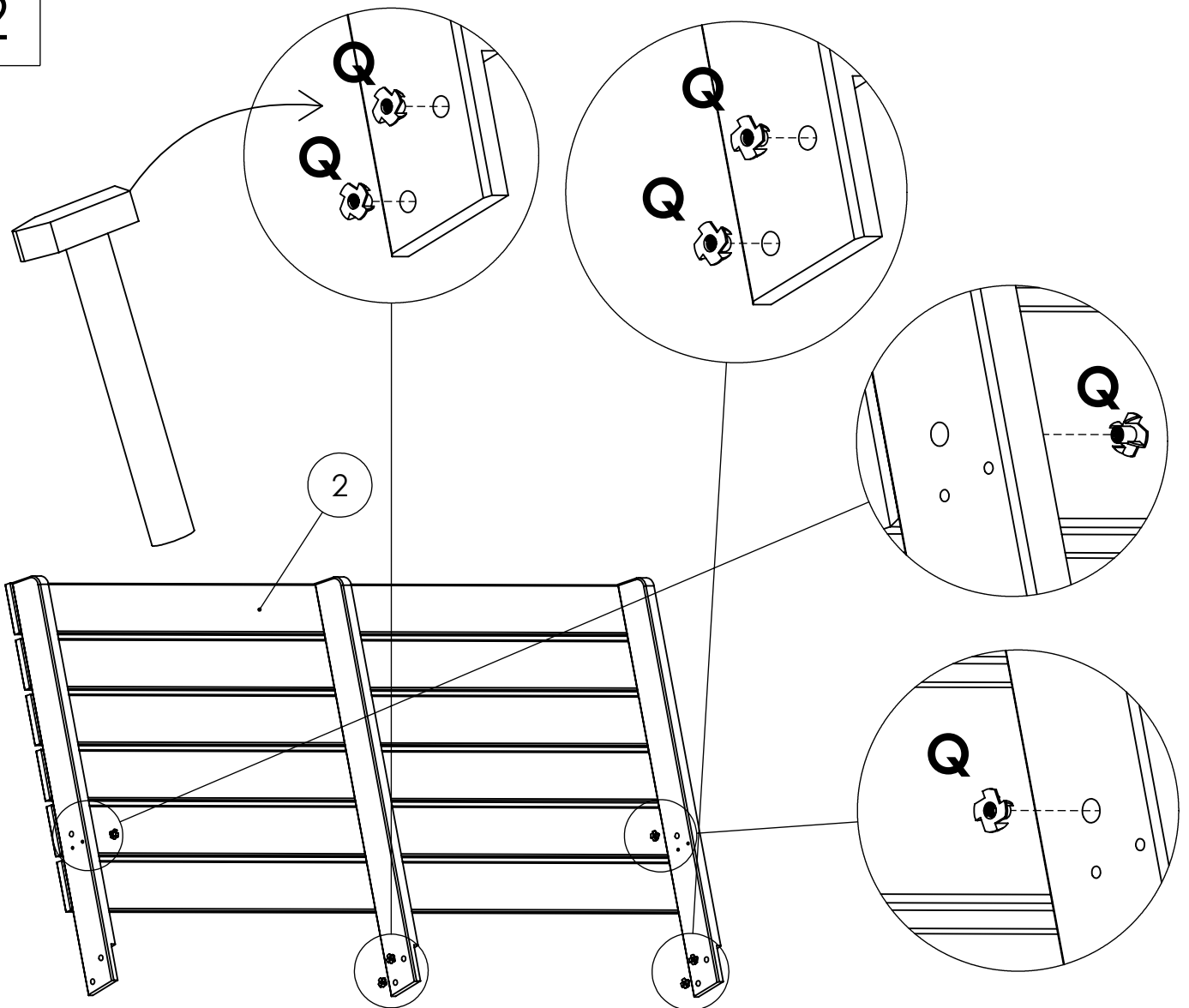



1

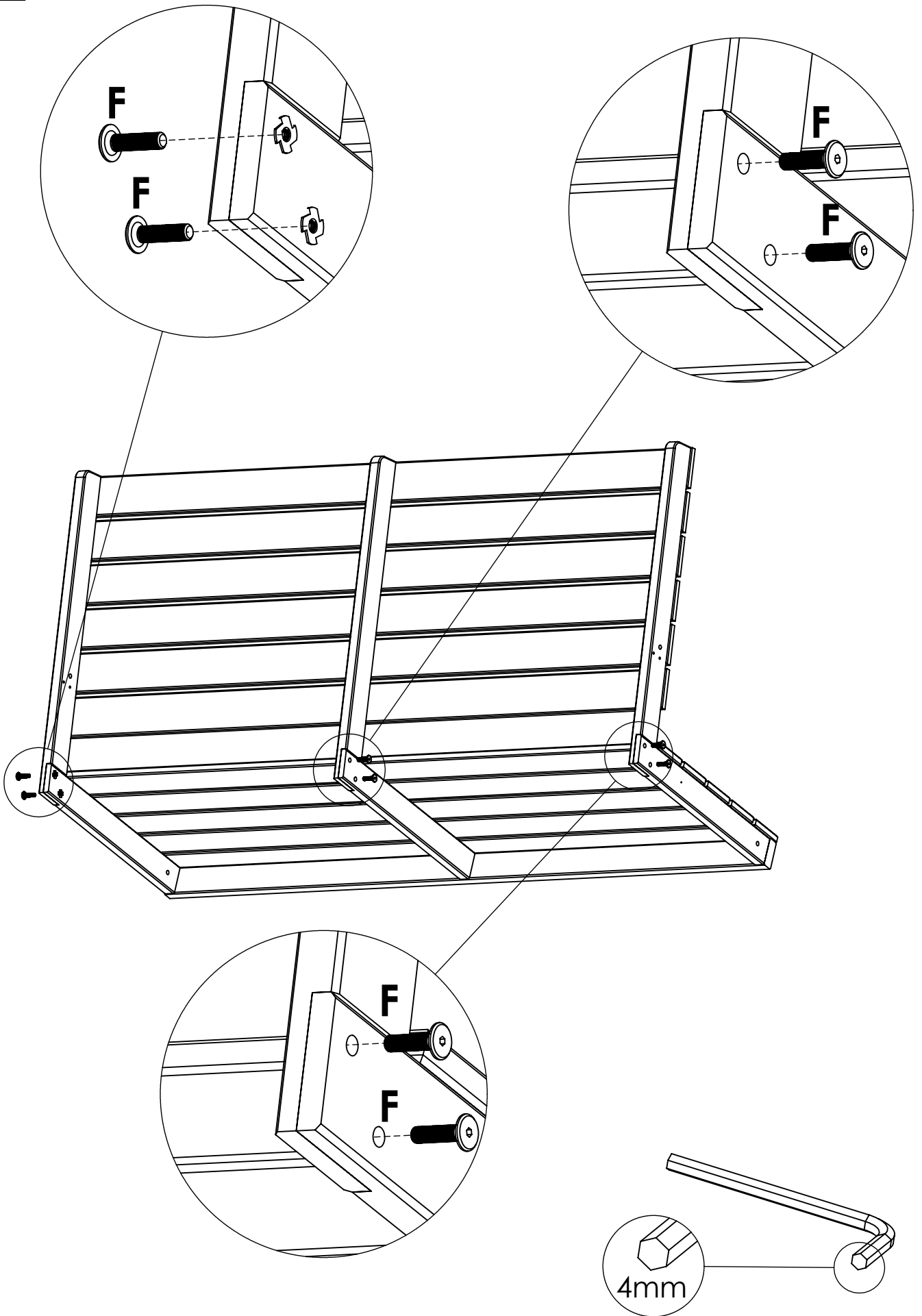


Q		M8	x4
---	---	----	----

2



Q		M8	x6
---	---	----	----



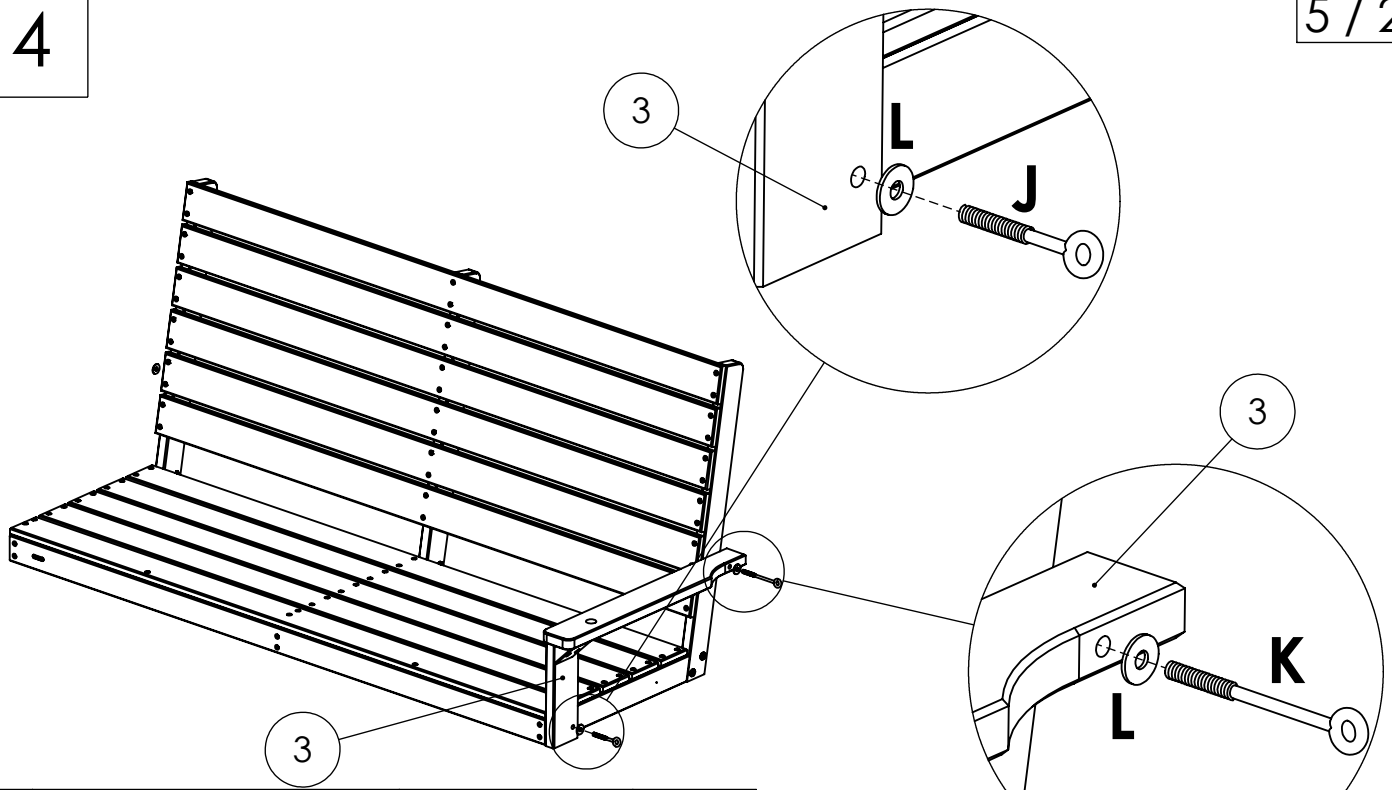
F 

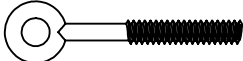
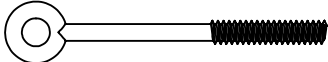

M8x30

x6

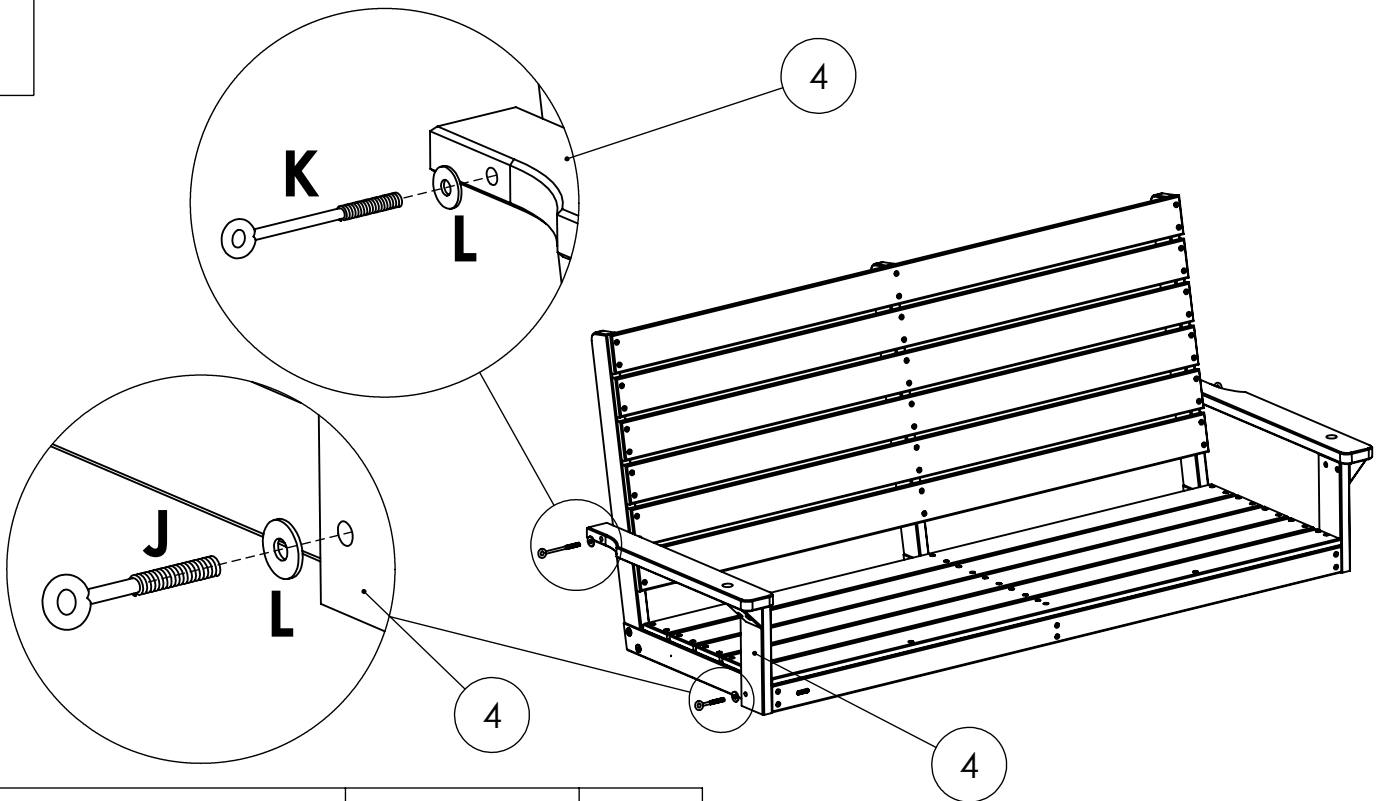
4mm

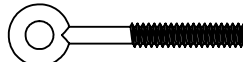
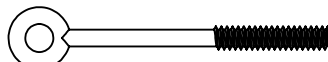

4



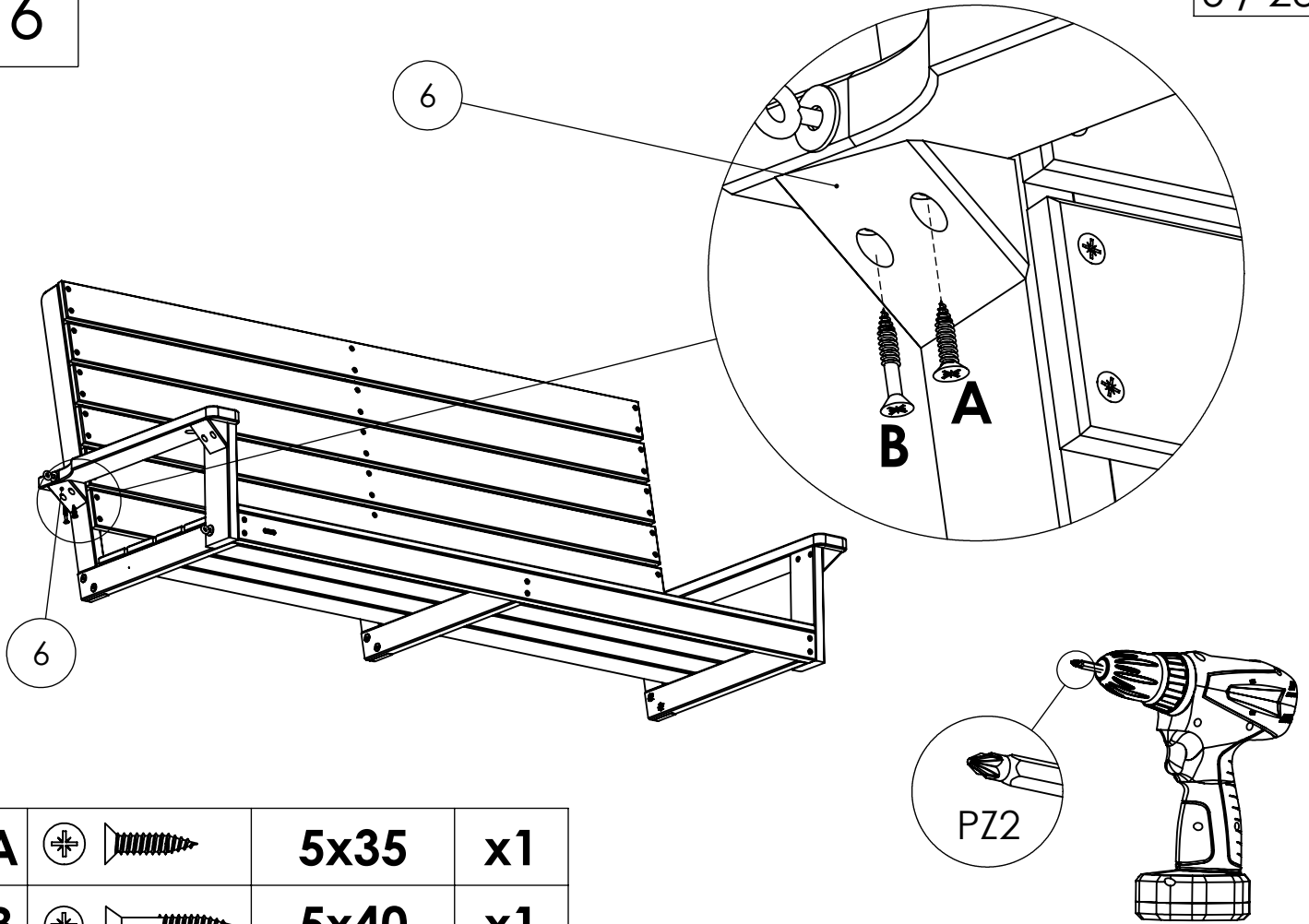
J		M8x60	x1
K		M8x100	x1
L		M8	x2



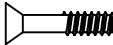
5



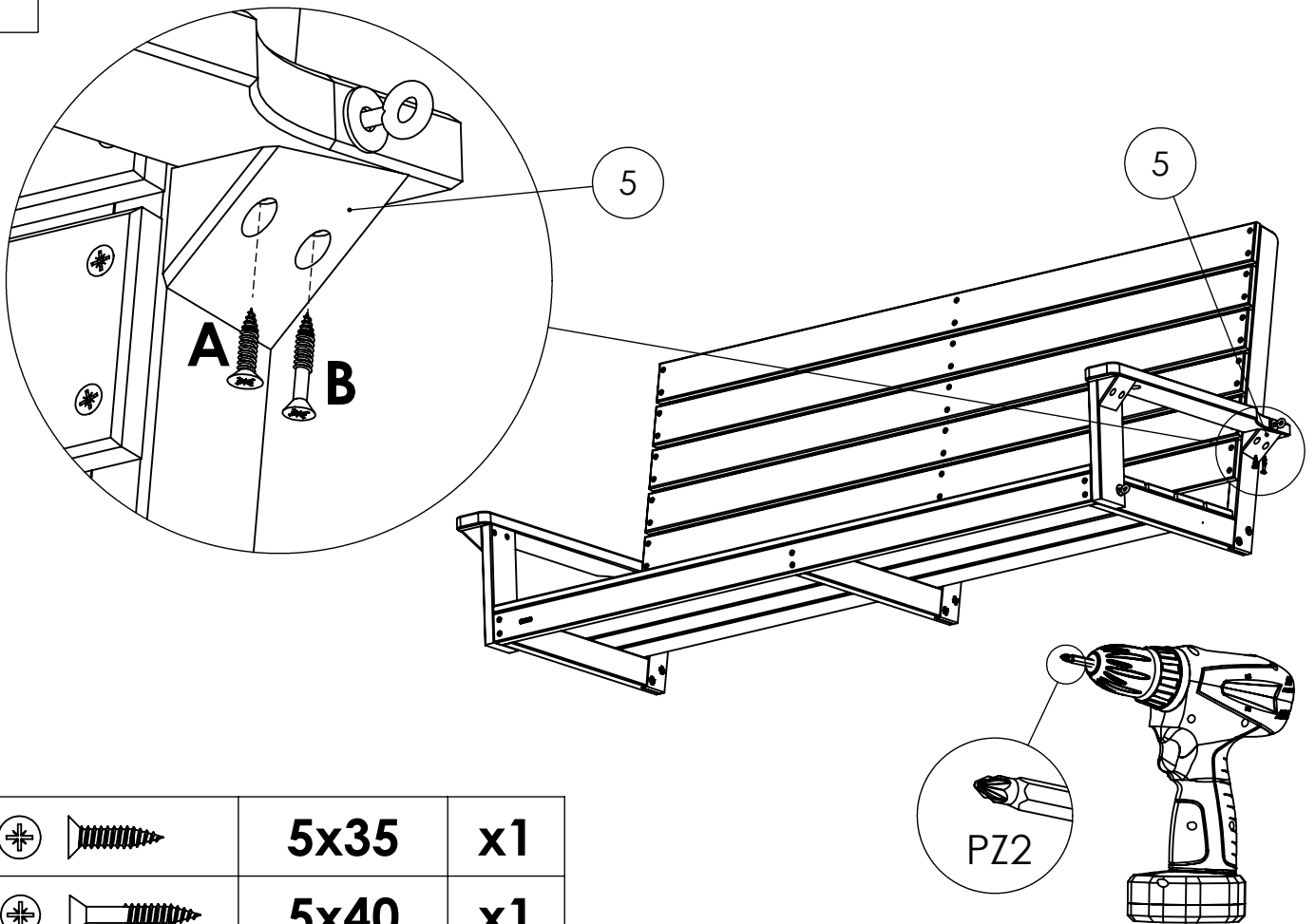
J		M8x60	x1
K		M8x100	x1
L		M8	x2




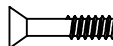
6

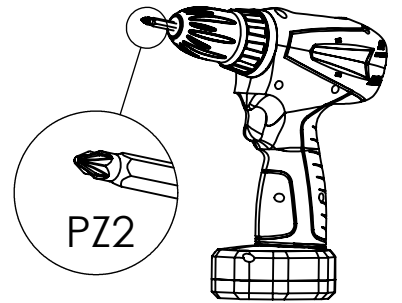
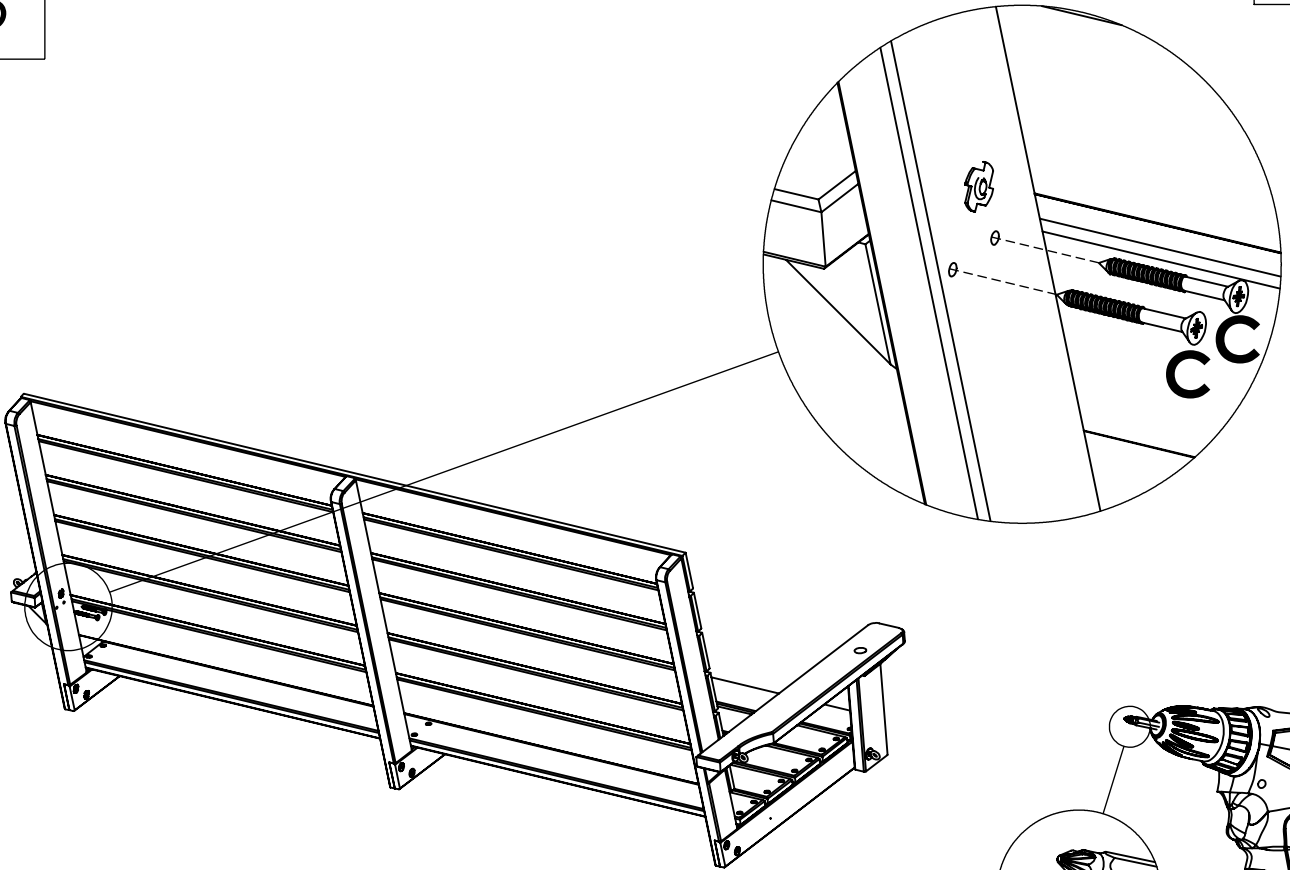



A			5x35	x1
B			5x40	x1

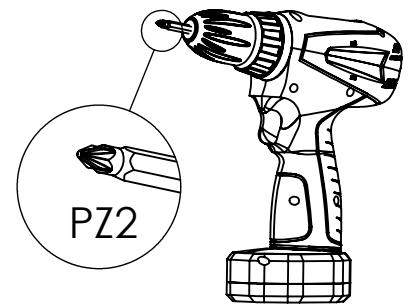
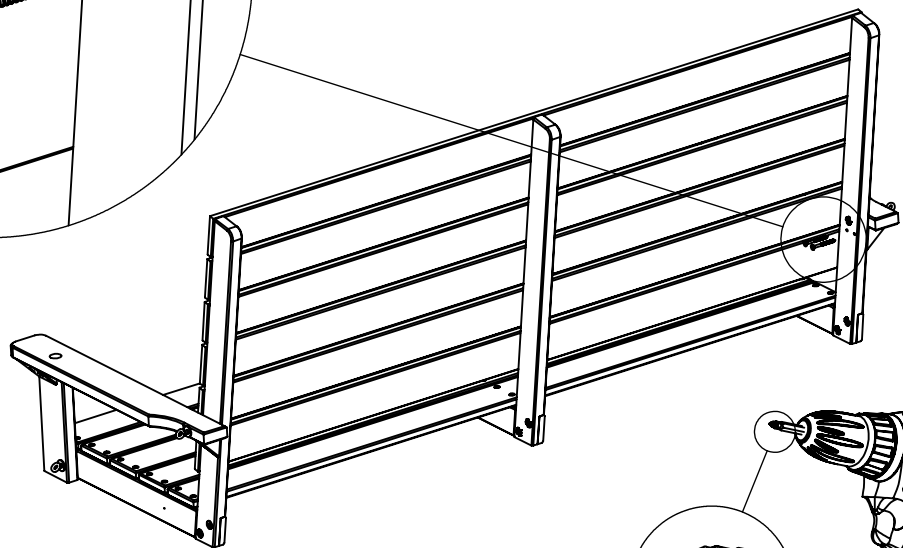
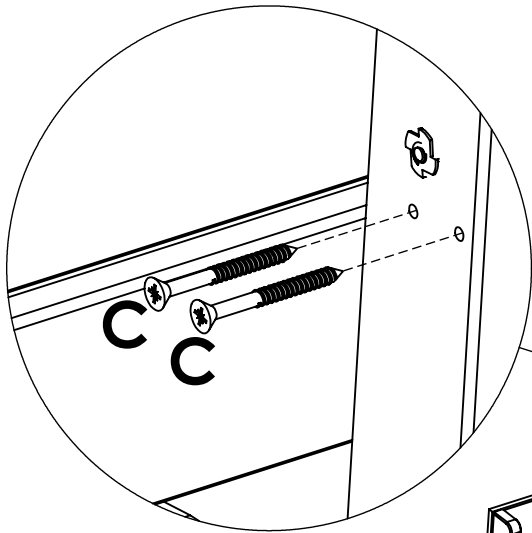
7




A			5x35	x1
B			5x40	x1



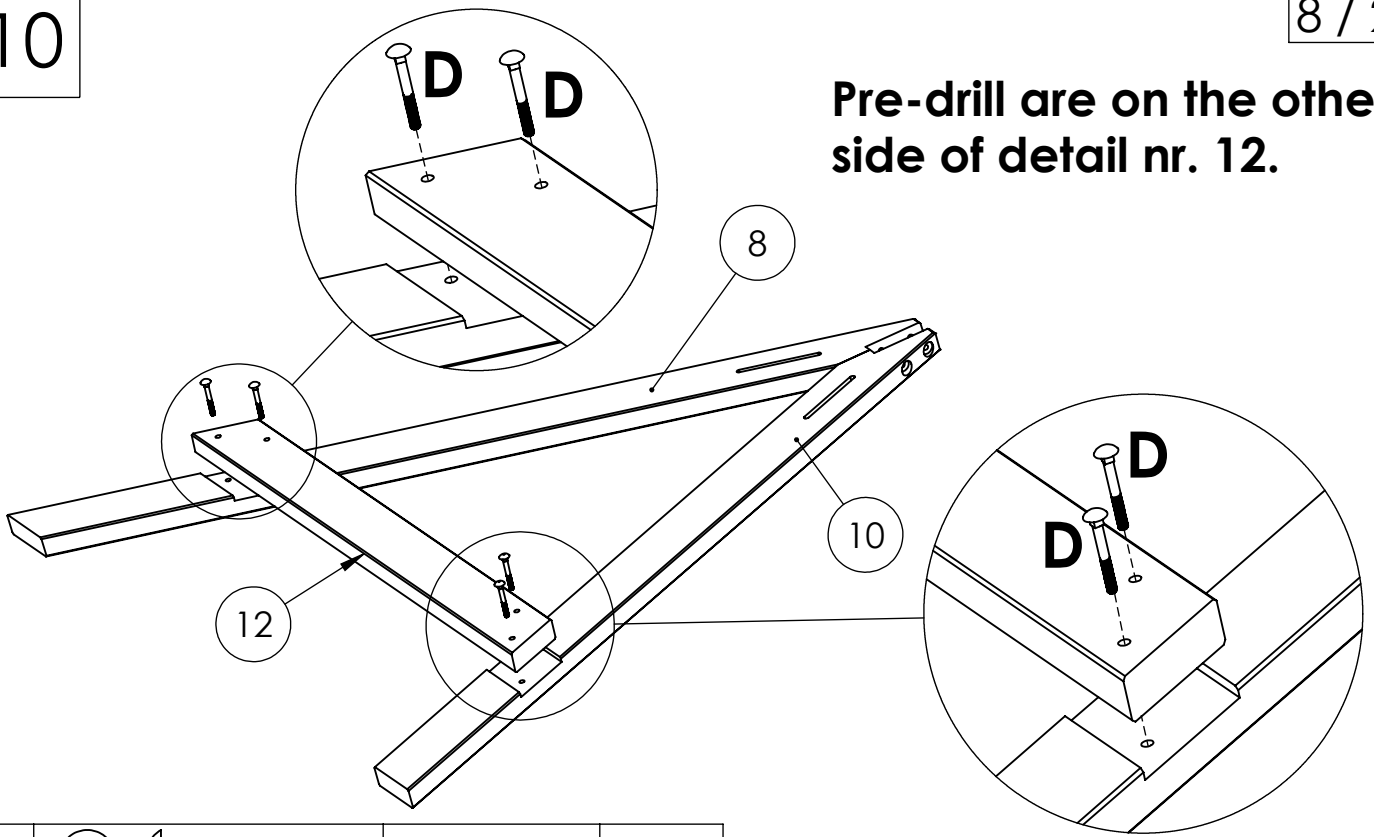
C		5x60	x2
----------	---	-------------	-----------



C		5x60	x2
----------	---	-------------	-----------

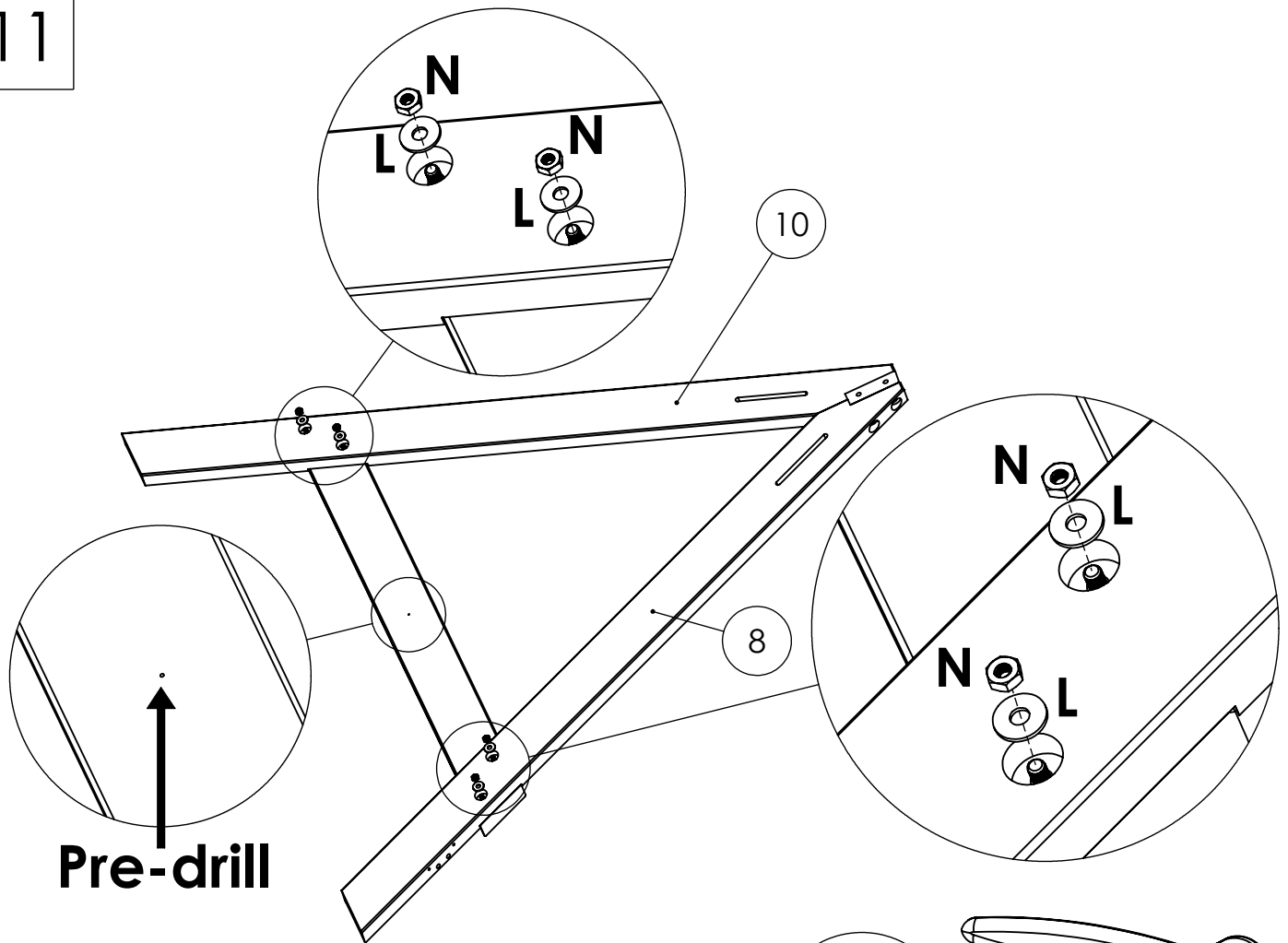
10



Pre-drill are on the other side of detail nr. 12.

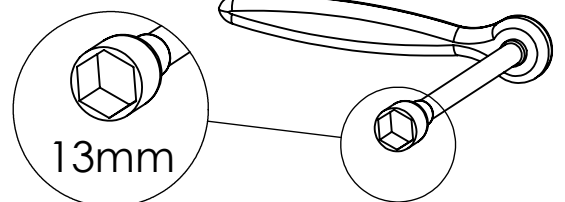


D		M8x70	x4
----------	---	--------------	-----------

11

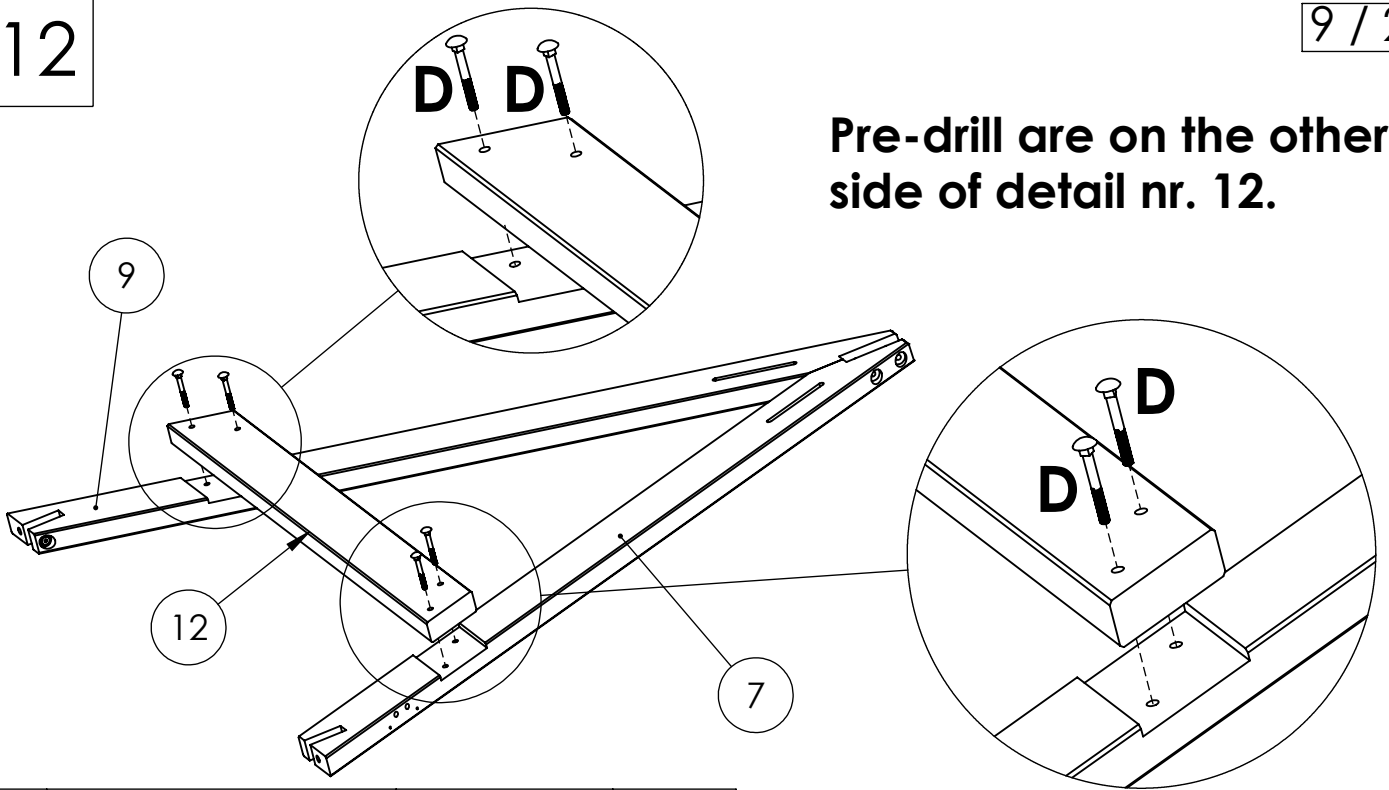


L		M8	x4
N		M8	x4



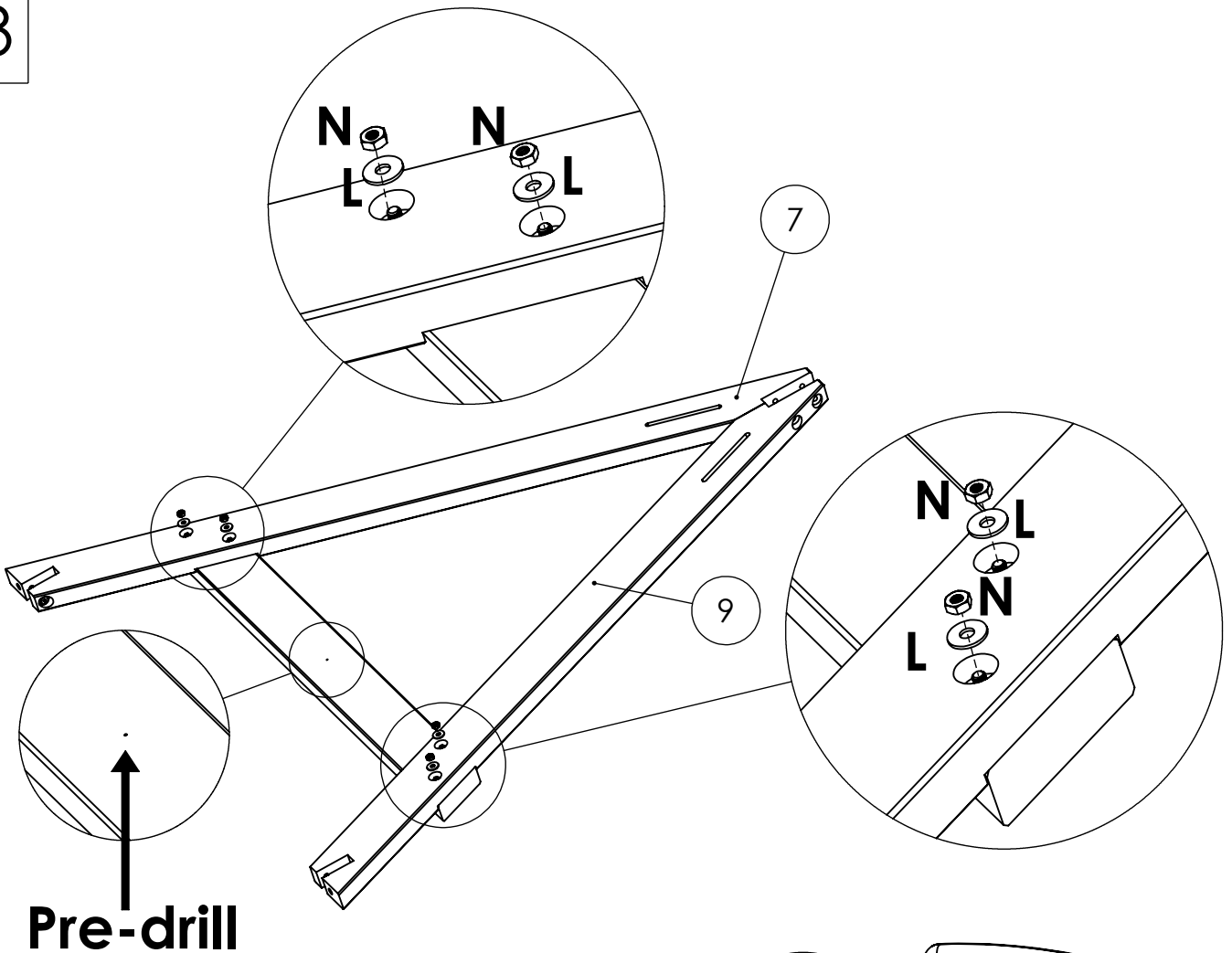
12

Pre-drill are on the other side of detail nr. 12.





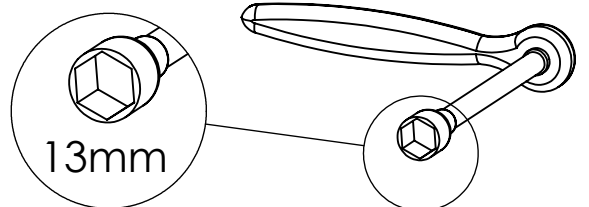
D		M8x70	x4
----------	---	--------------	-----------

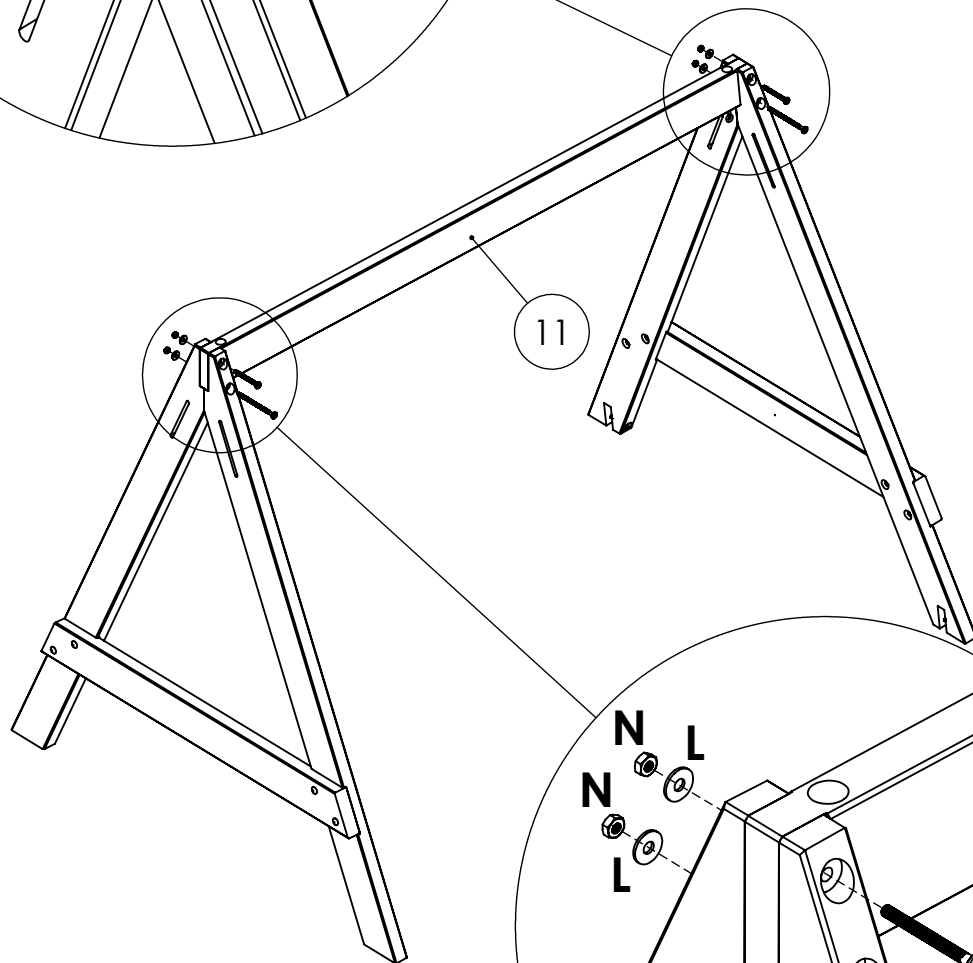
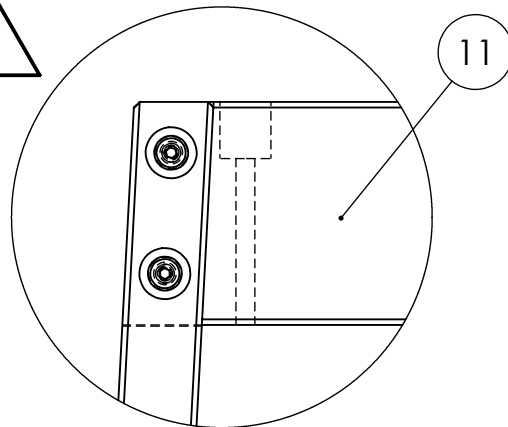
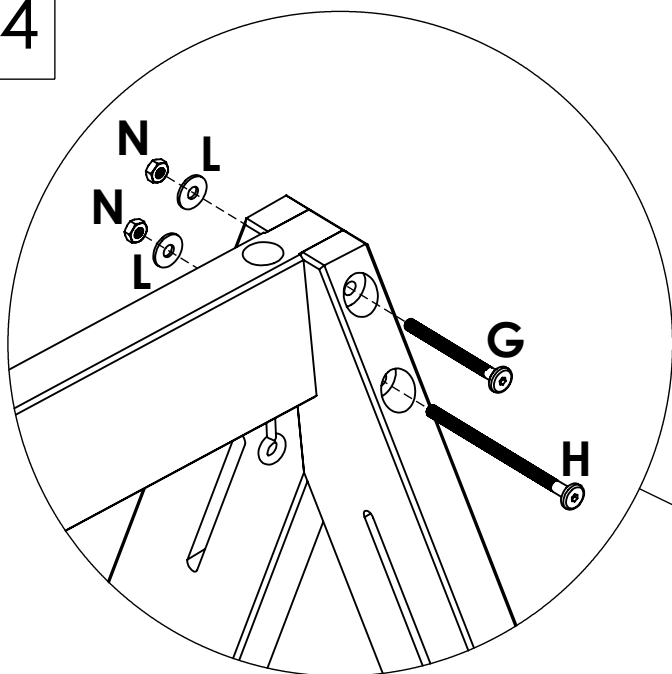
13



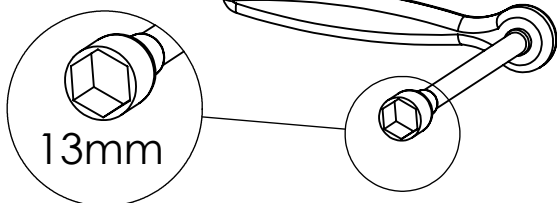
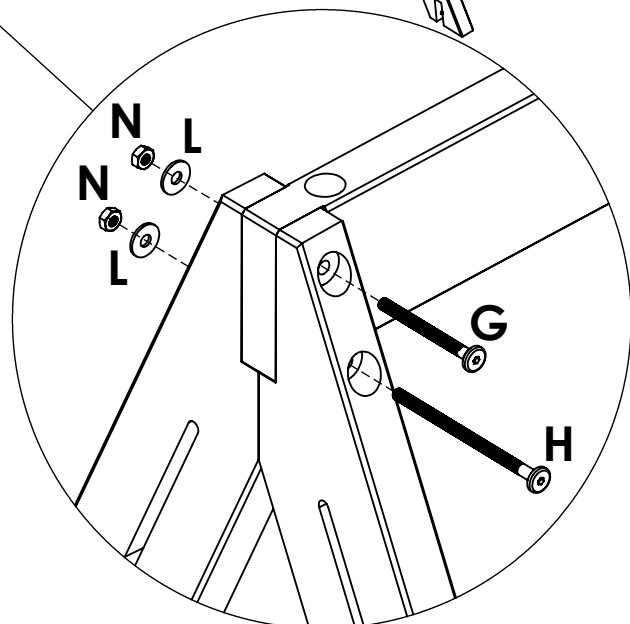
Pre-drill

L		M8	x4
N		M8	x4

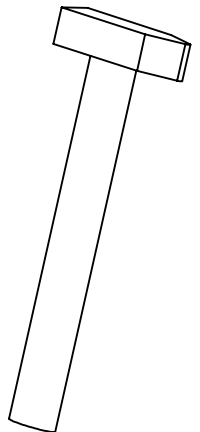
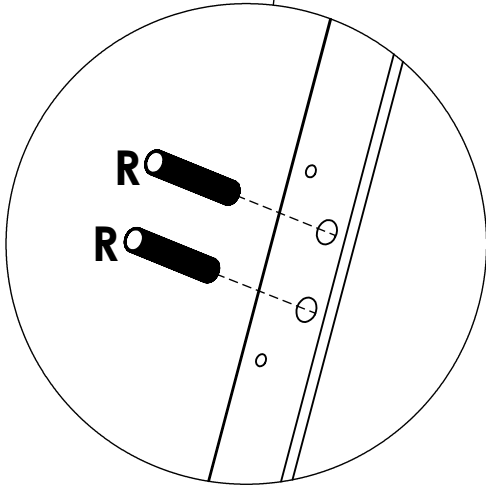
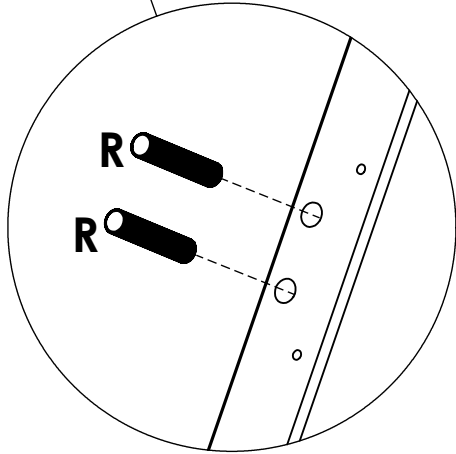
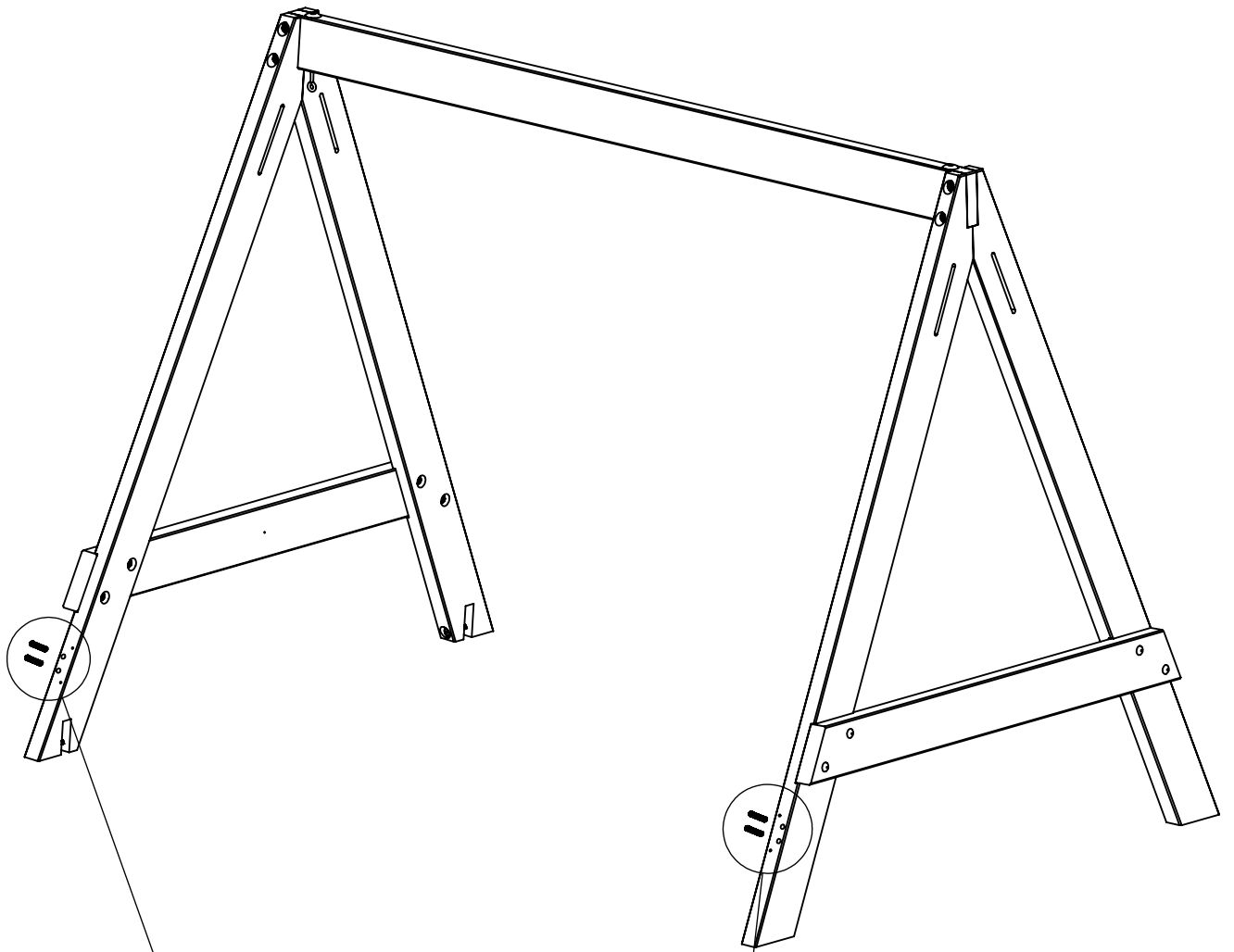




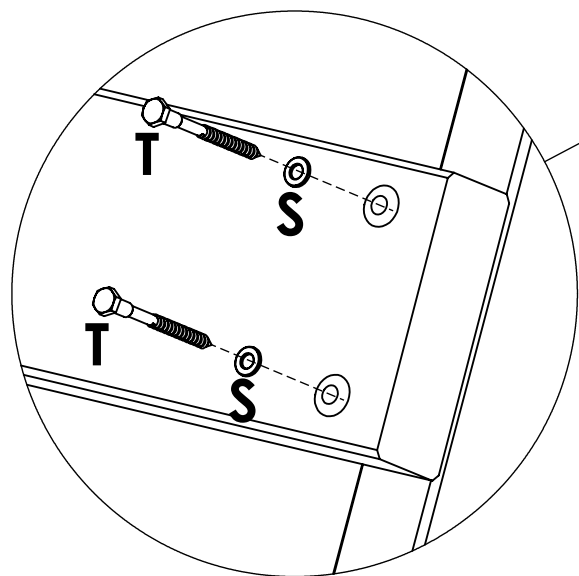
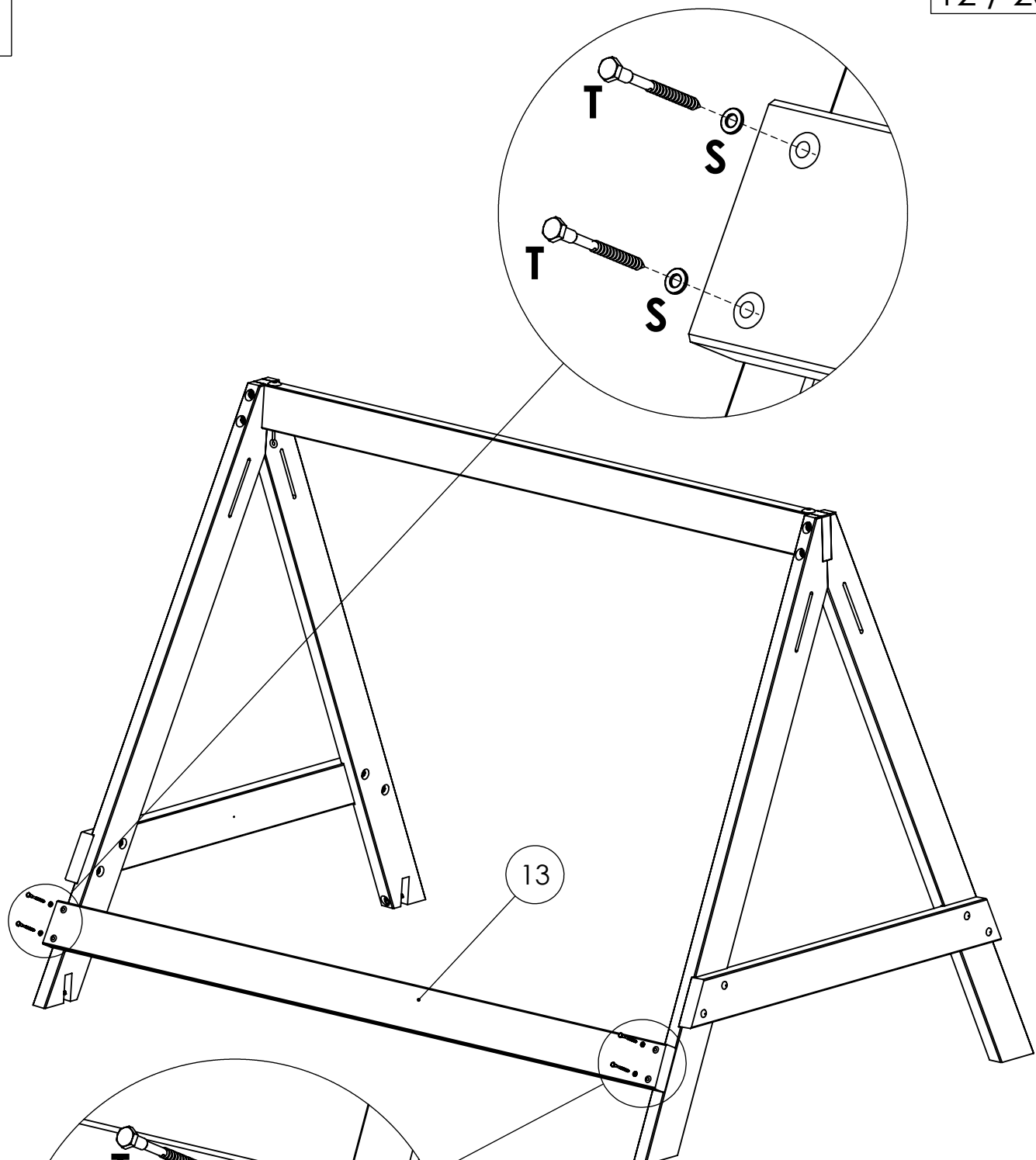
11



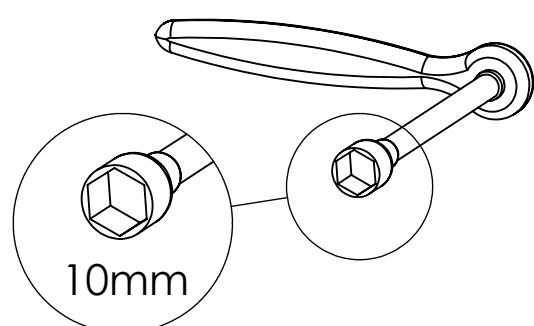
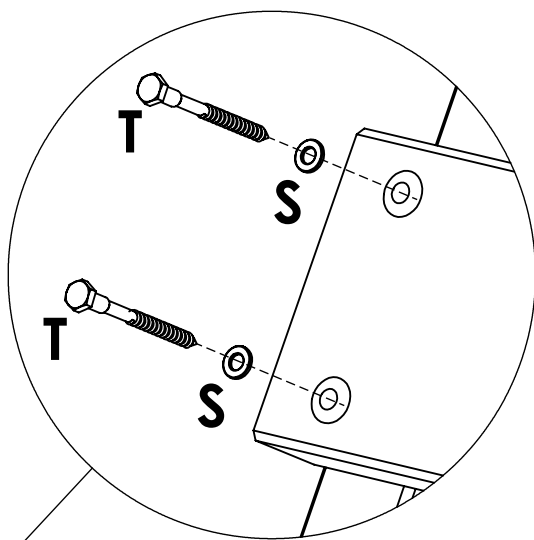
G		M8x90	x2
H		M8x140	x2
L		M8	x4
N		M8	x4


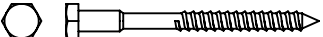


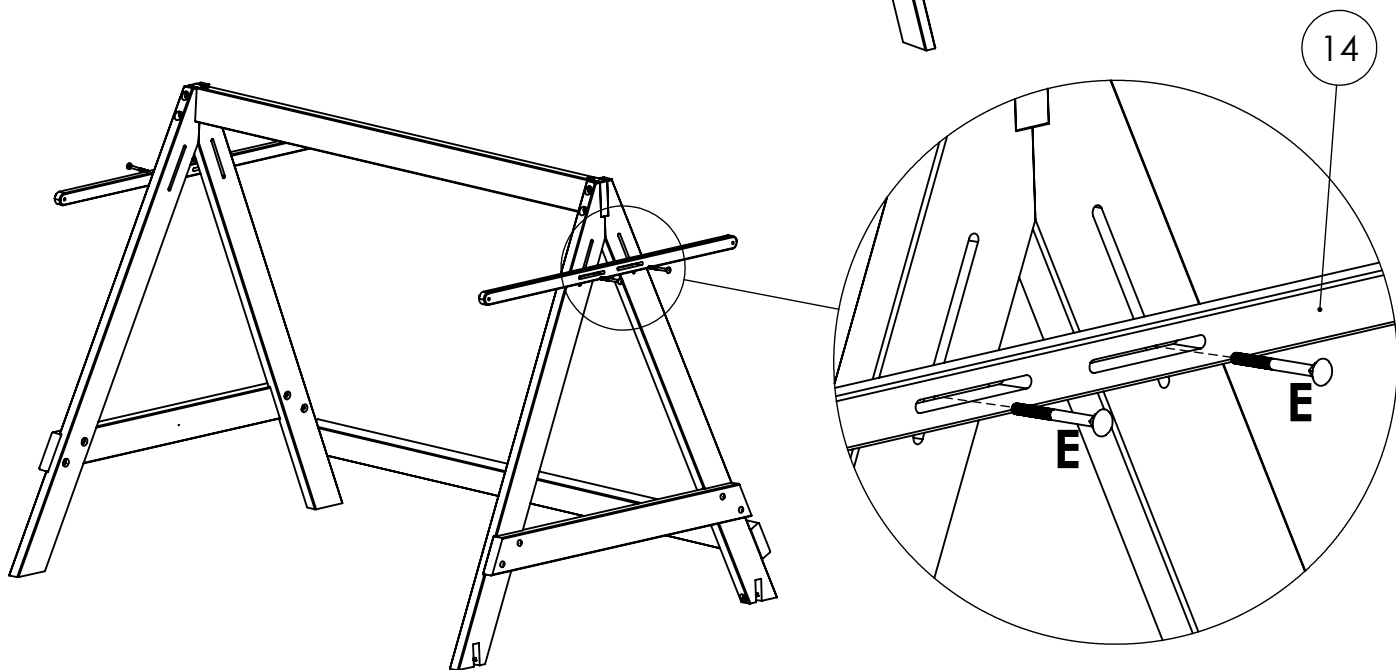
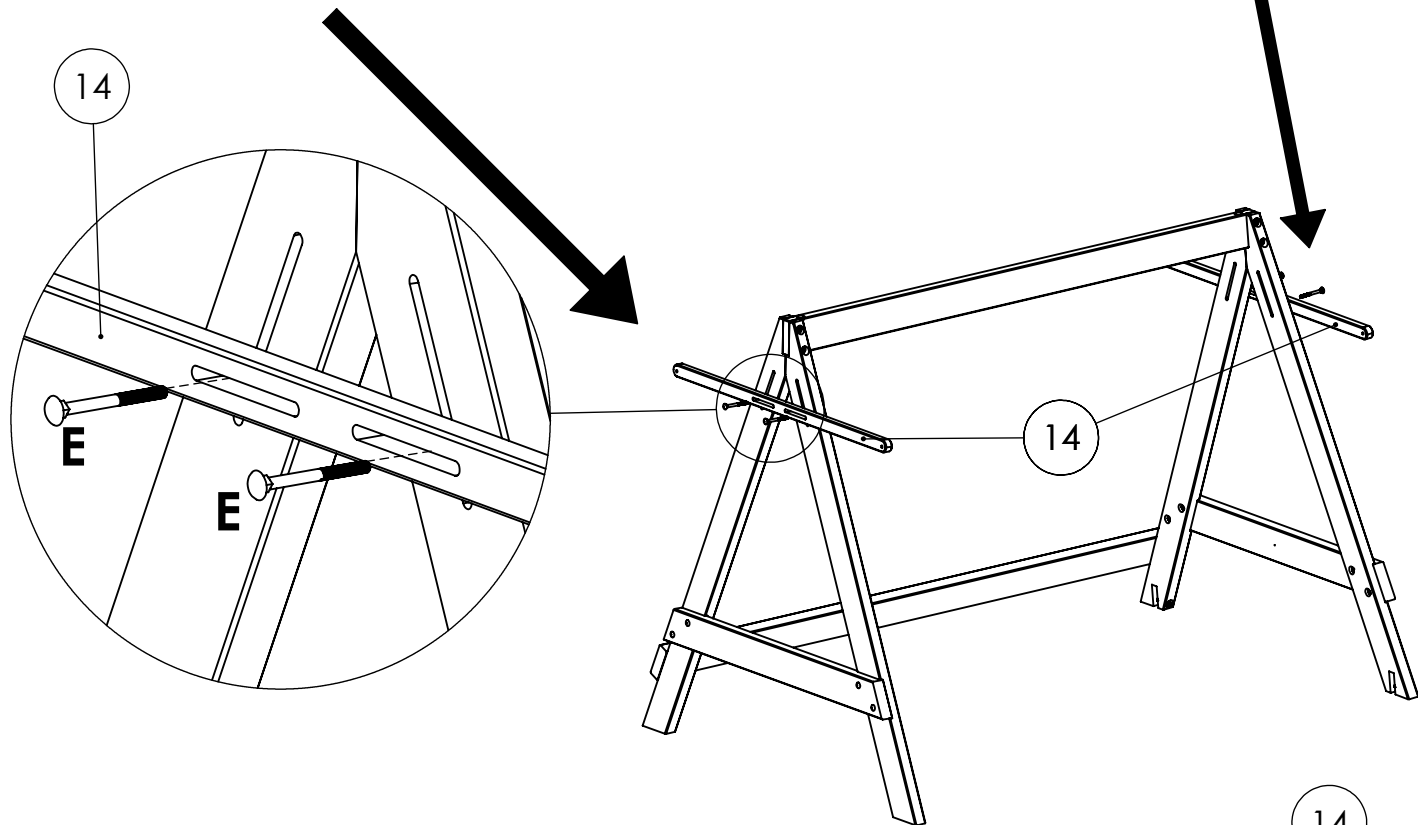
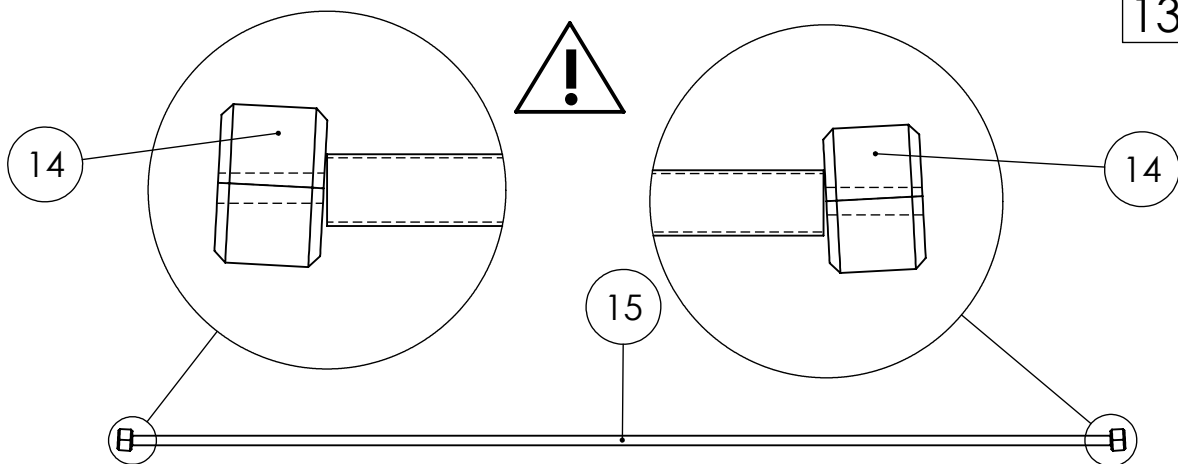
R		10x50	x4
---	---	-------	----

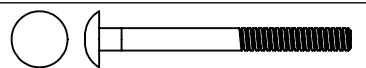


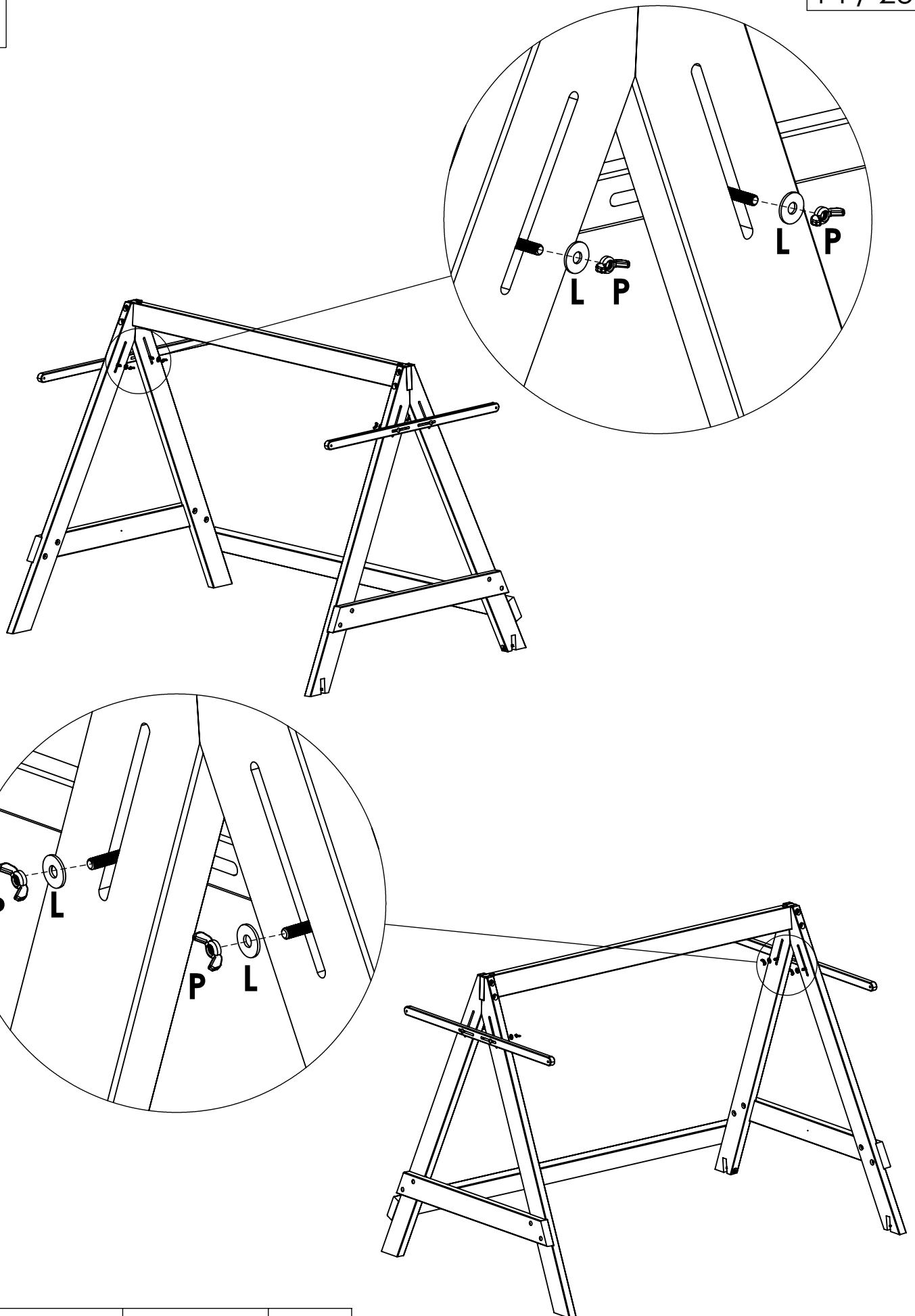
13





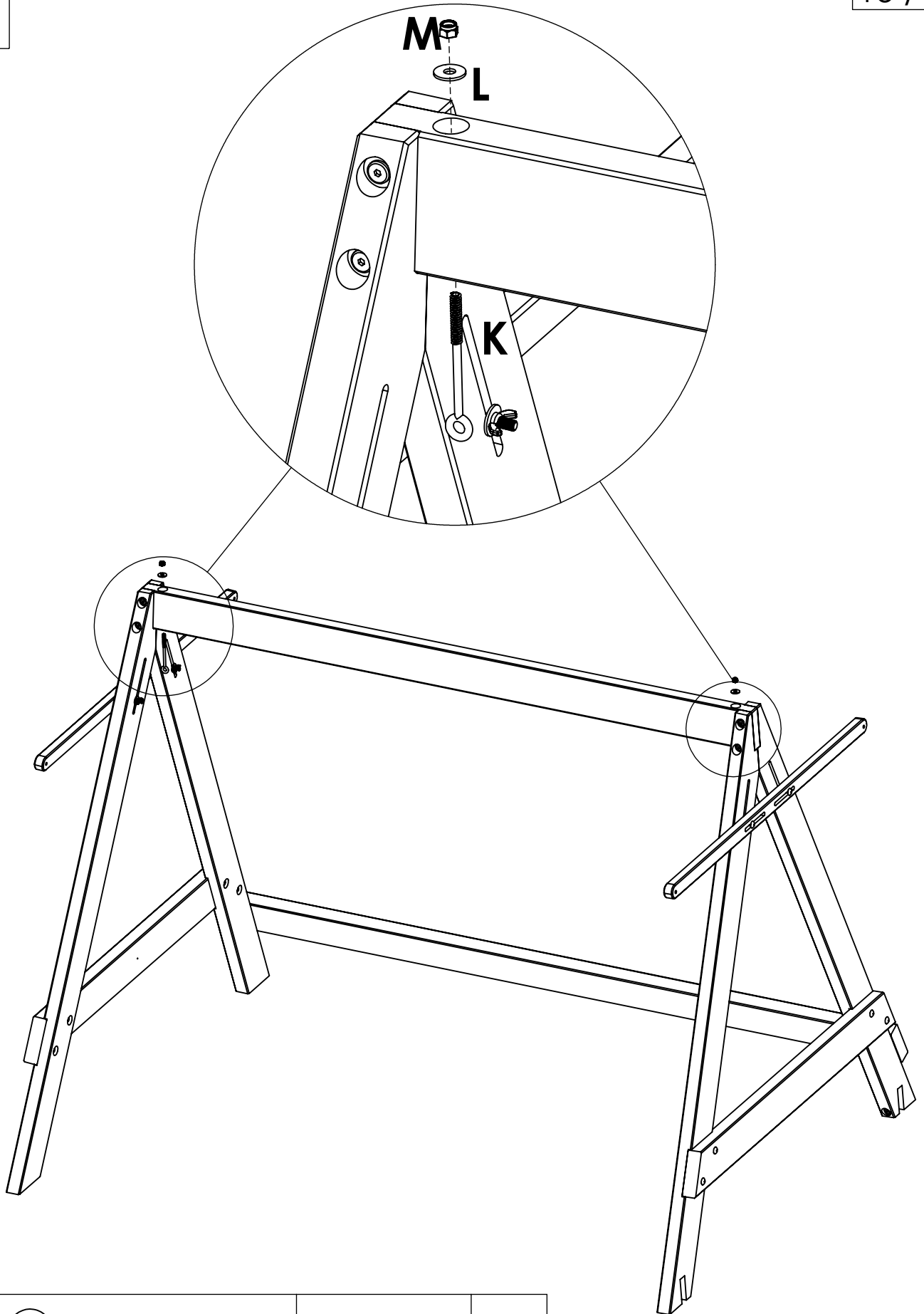
S		M6	x4
T		6x70	x4

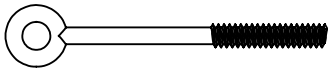




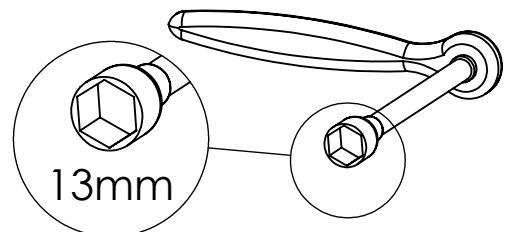
E		M8x90	x4
---	---	-------	----

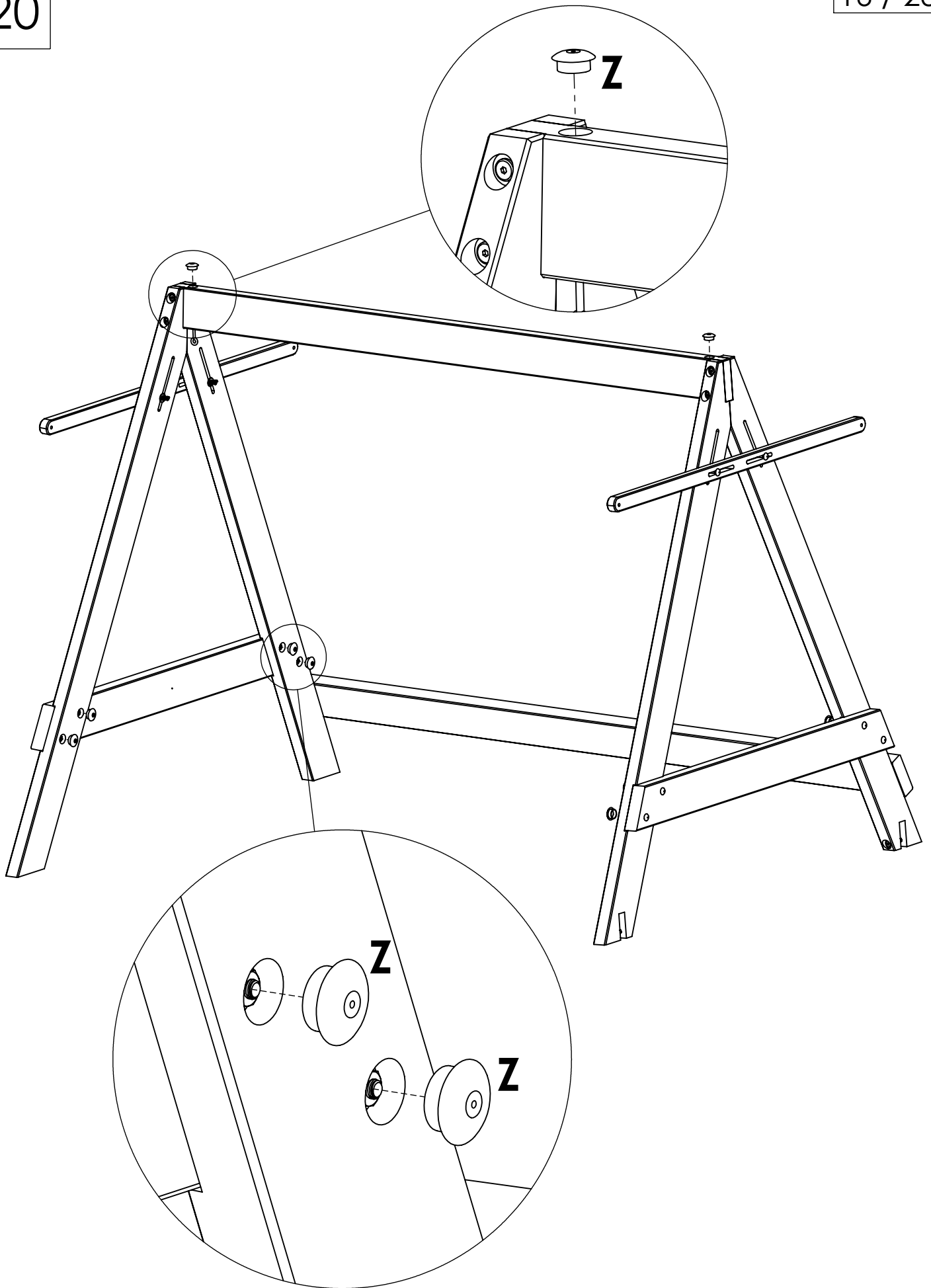


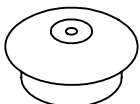
L		M8	x4
P		M8	x4

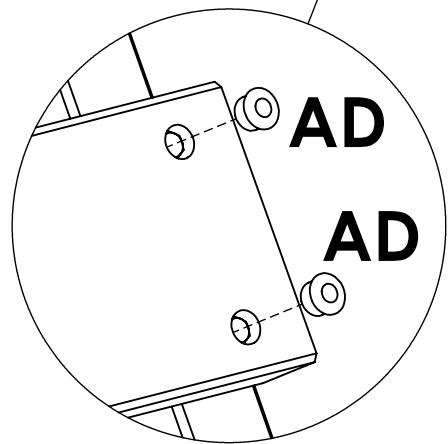
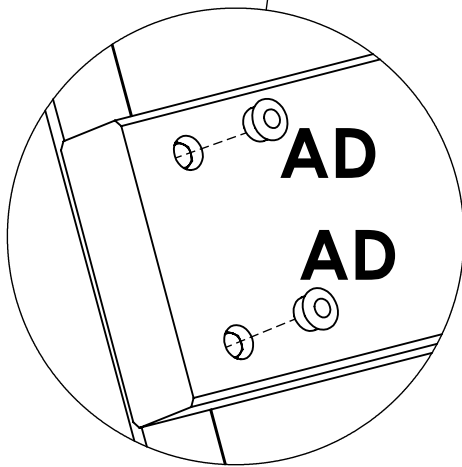
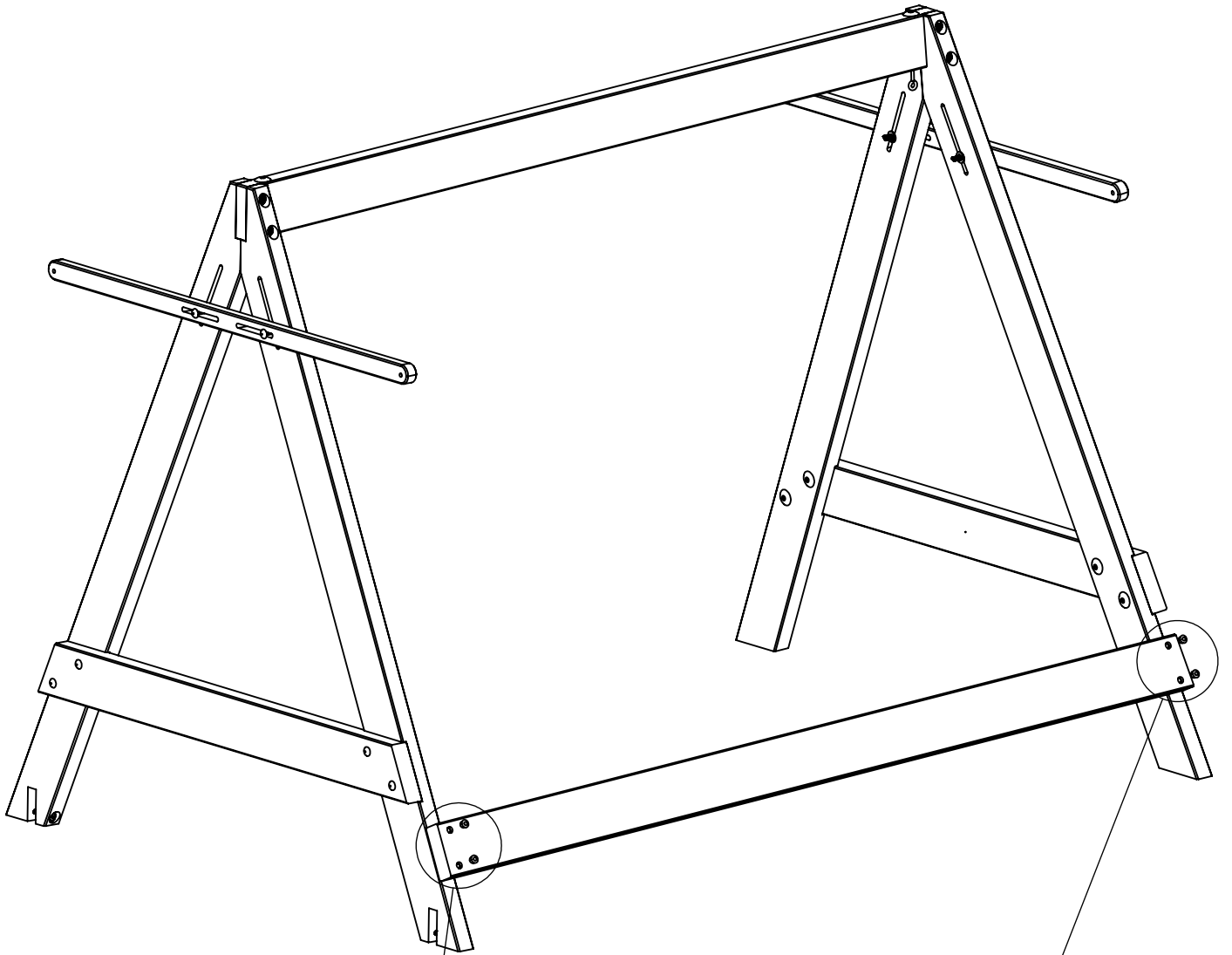


K		M8x100	x2
L		M8	x2
M		M8	x2





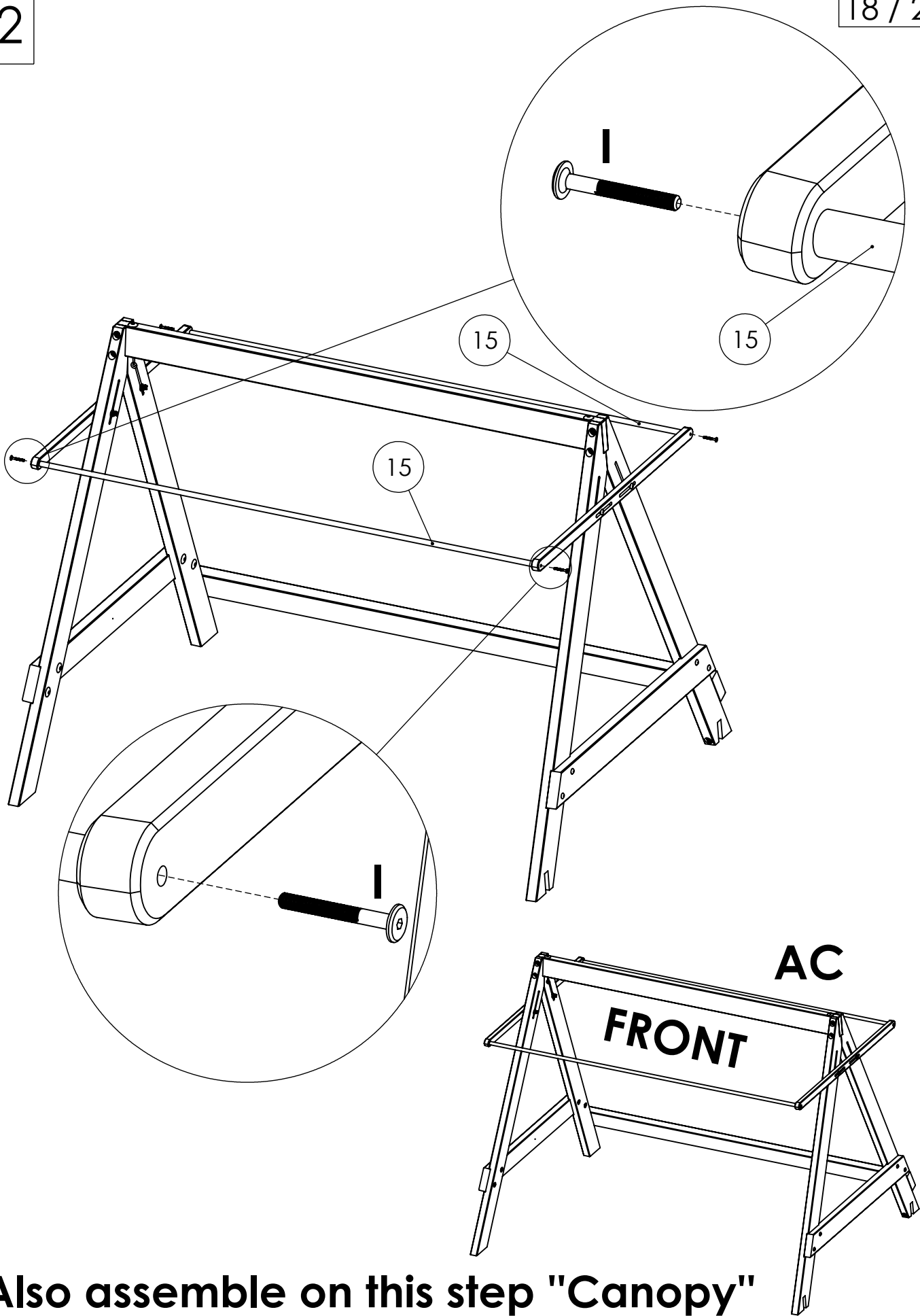
Z		x10
----------	---	------------



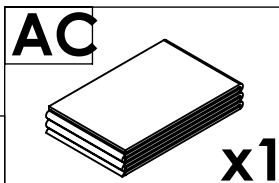
AD



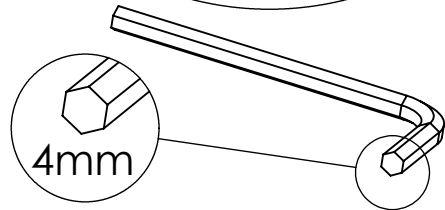
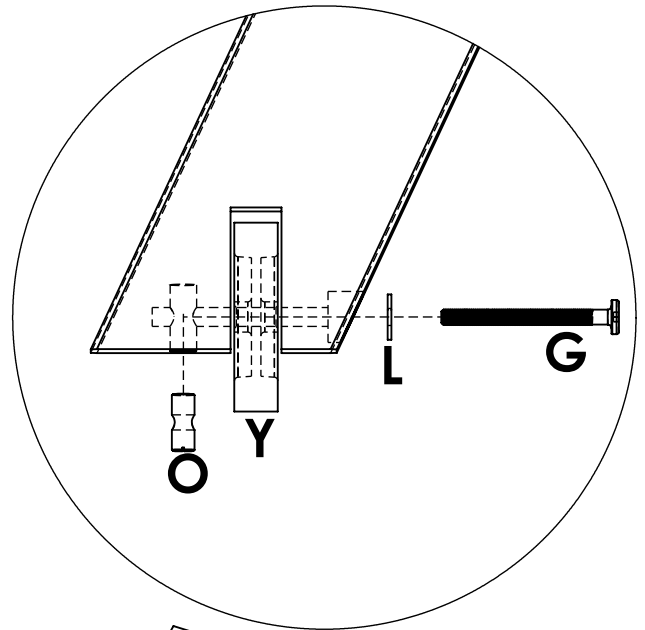
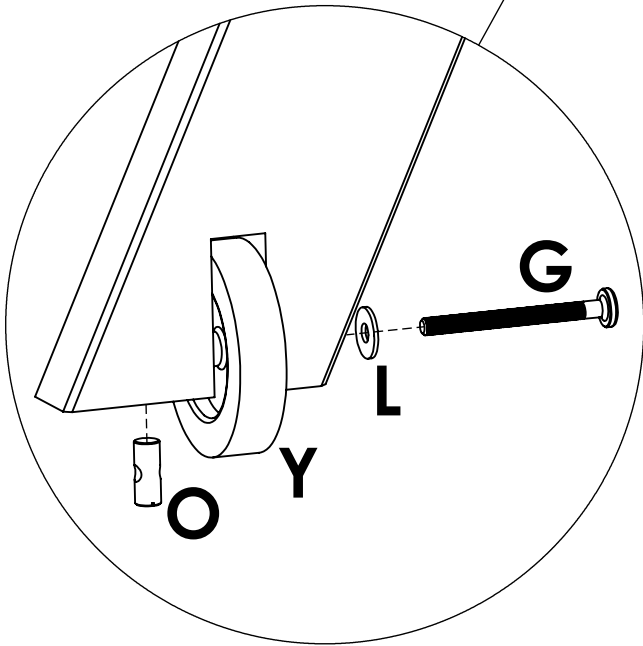
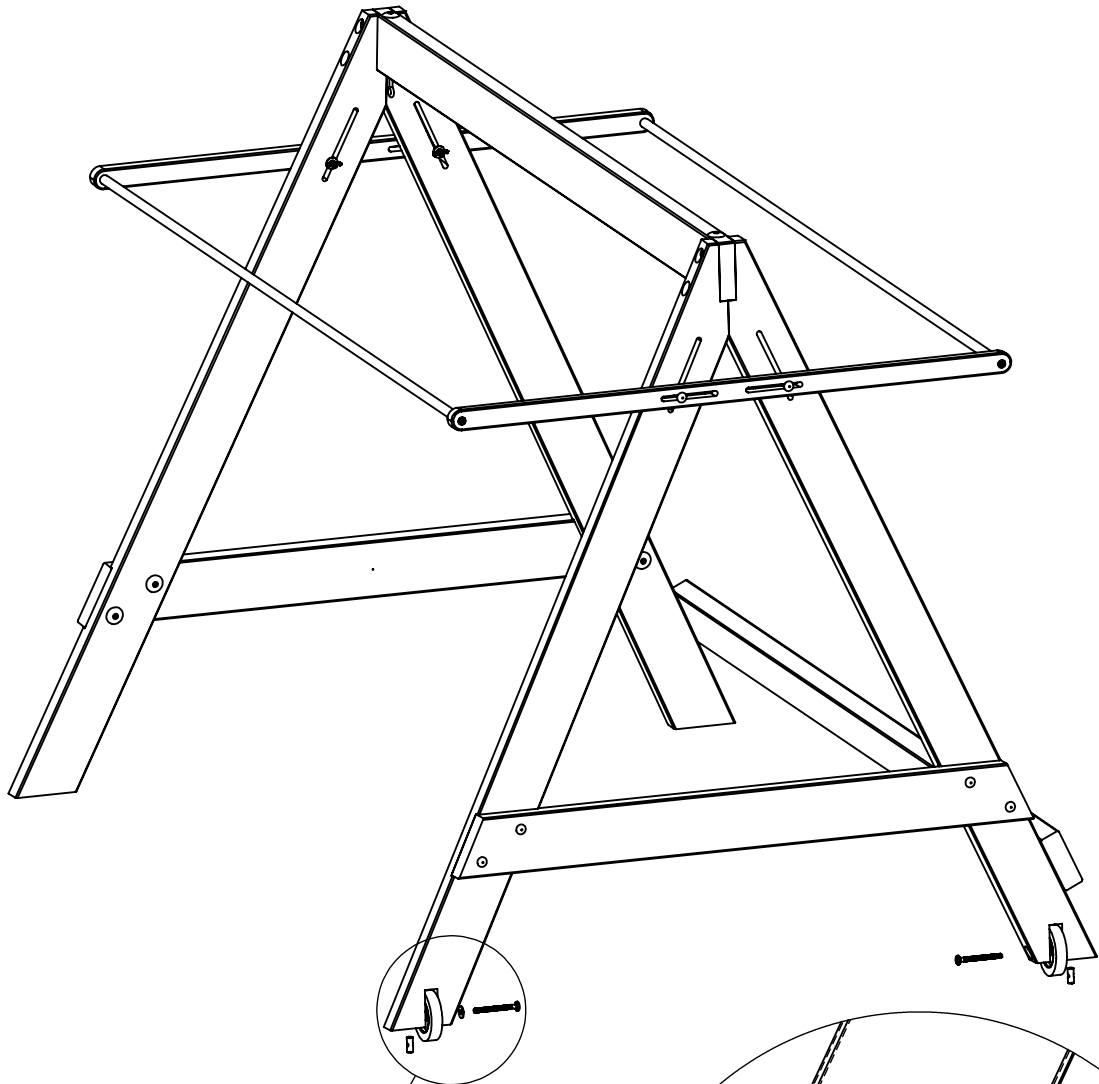
x4

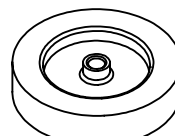


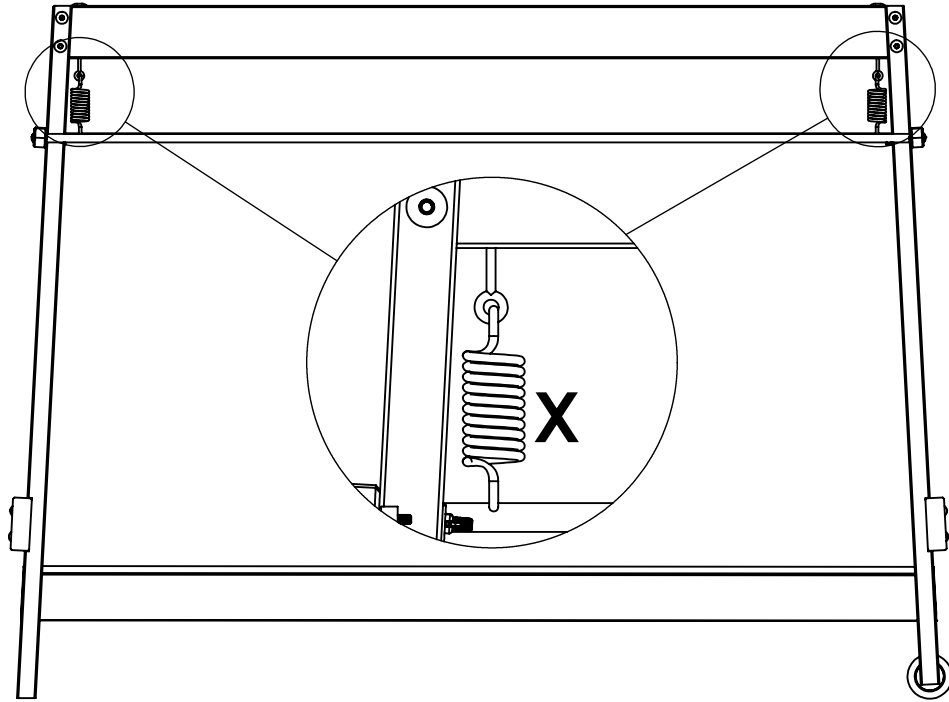
Also assemble on this step "Canopy"



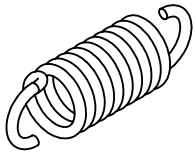
I		M6x50	x4
---	---	-------	----



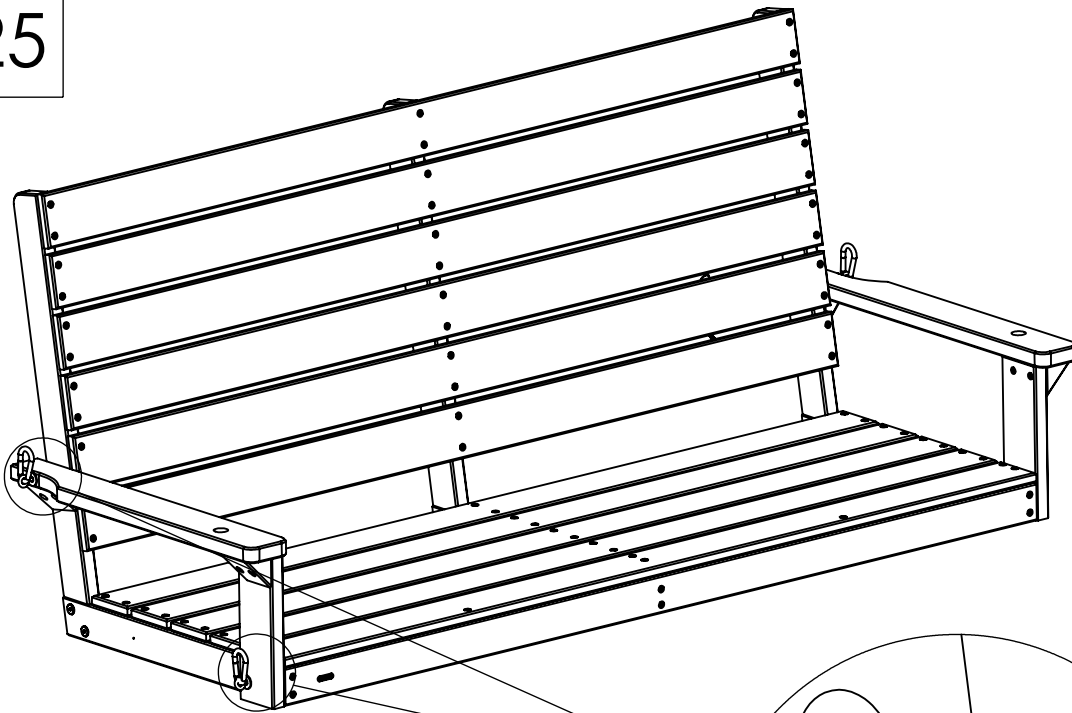
G		M8x90	x2	Y 
L		M8	x2	
O		M8	x2	



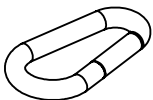
X



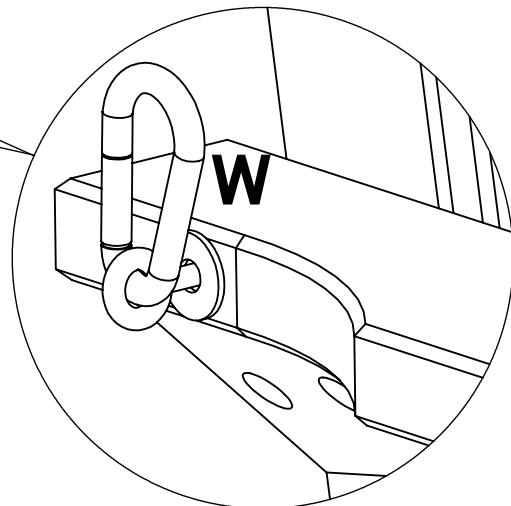
x2

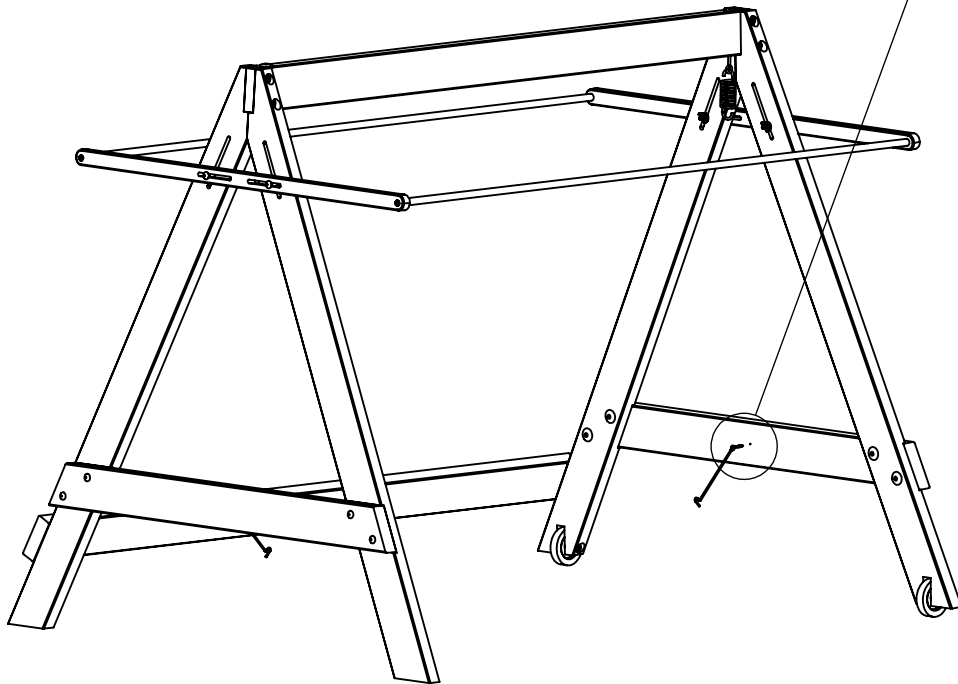
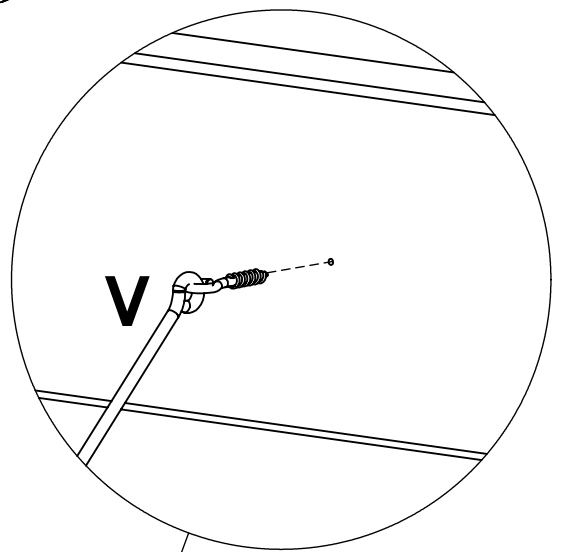
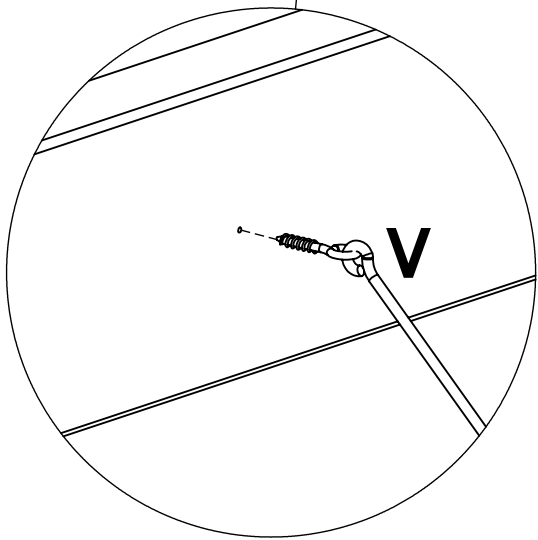
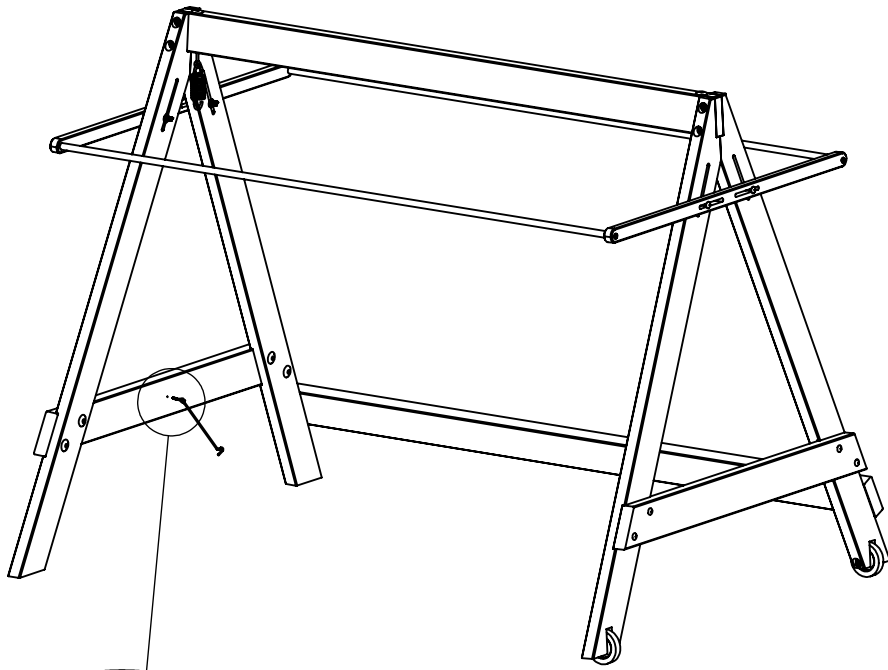


W

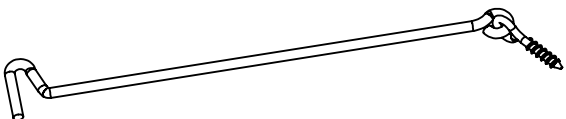


x4

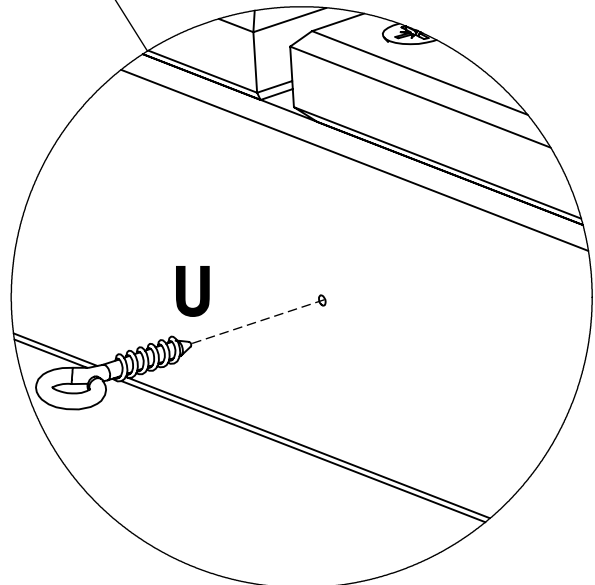
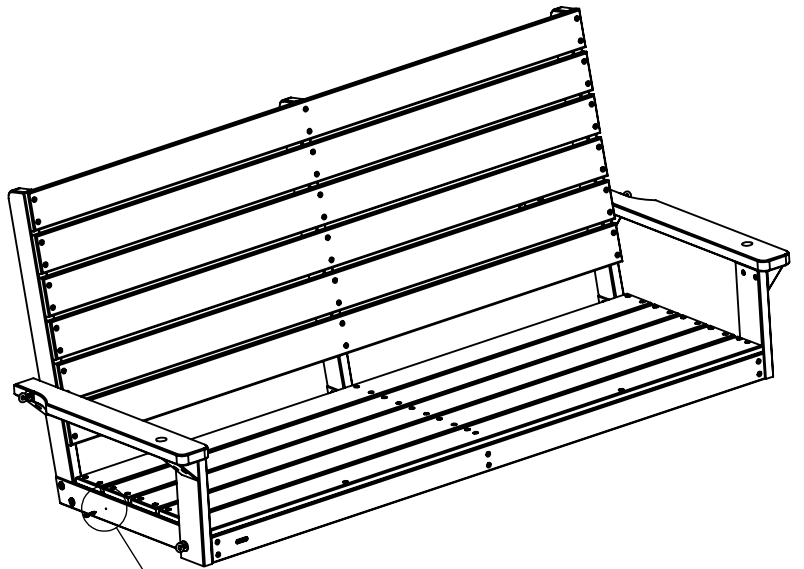
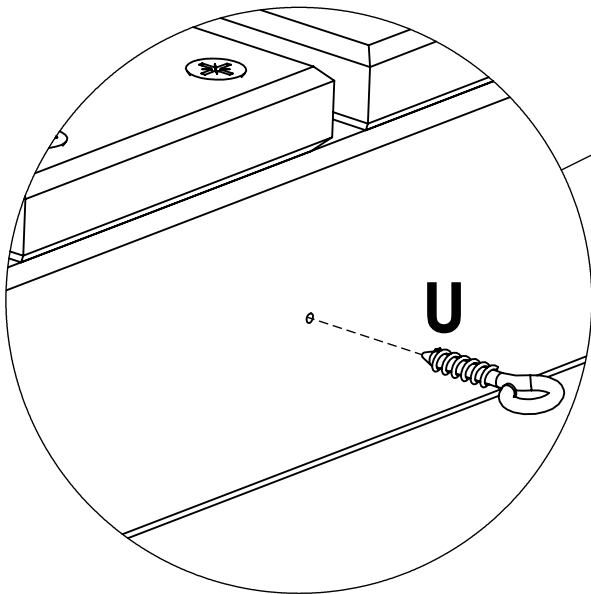
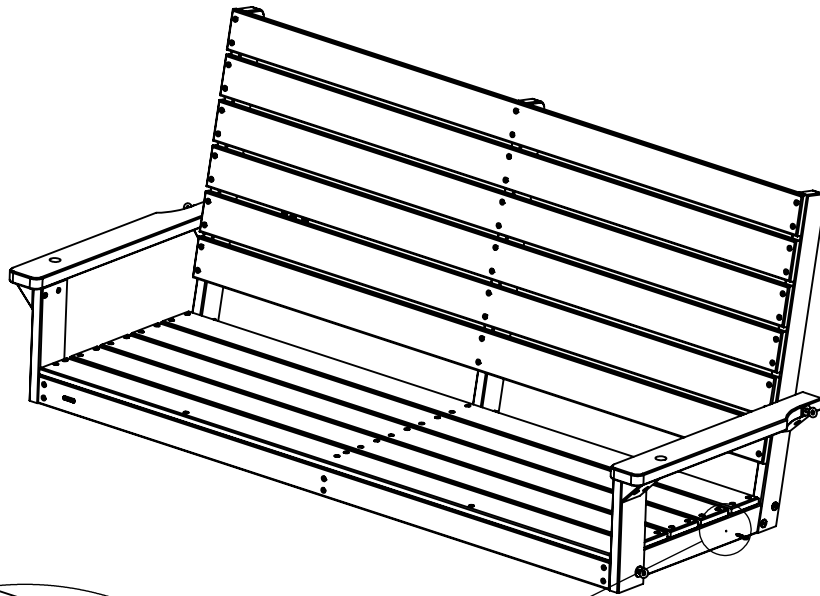





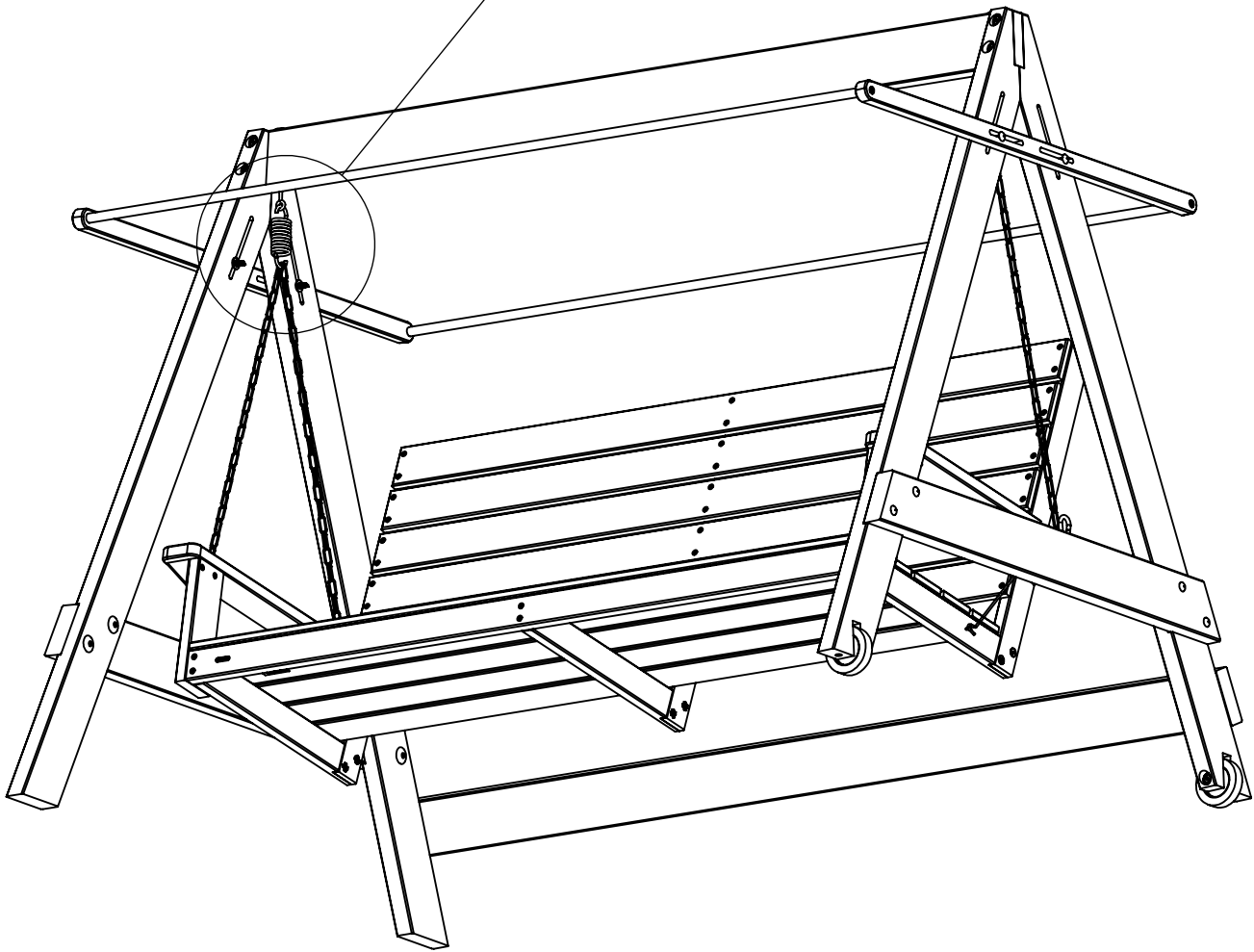
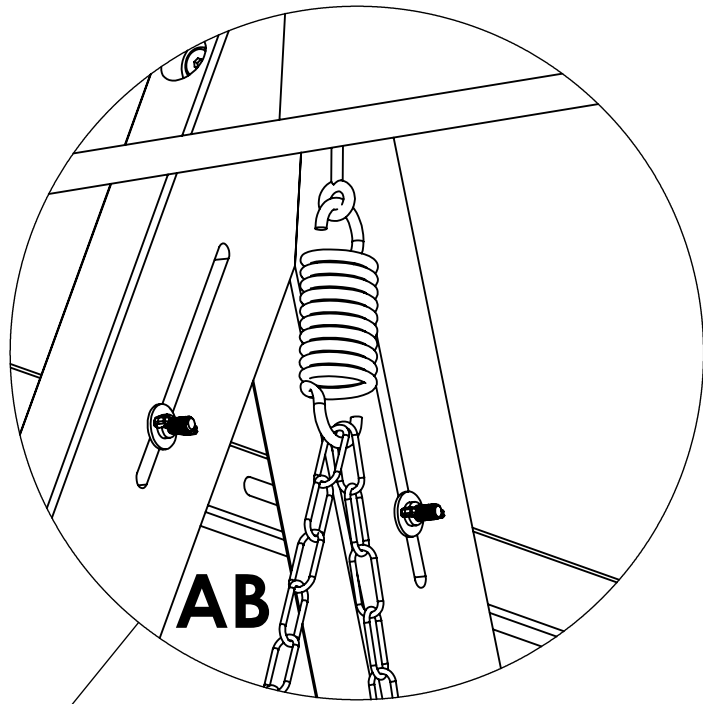
V



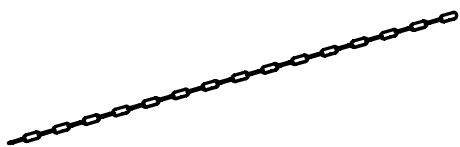
x2



U		x2
----------	---	-----------



AB



x2