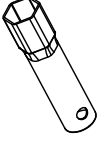







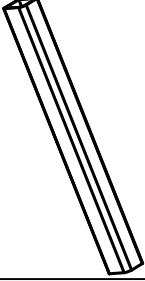
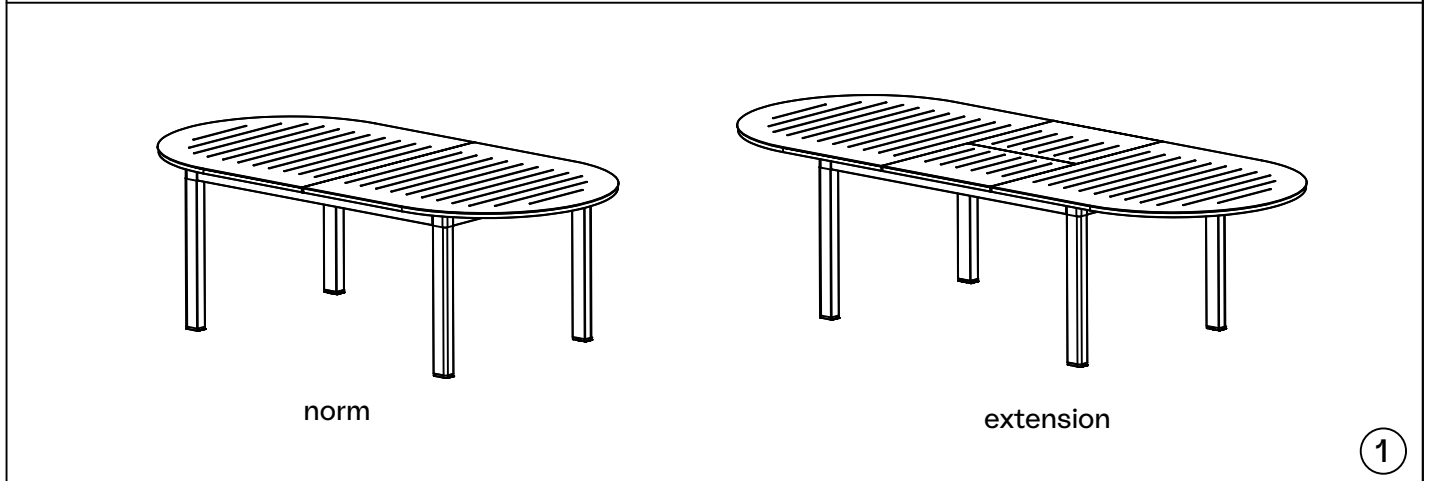
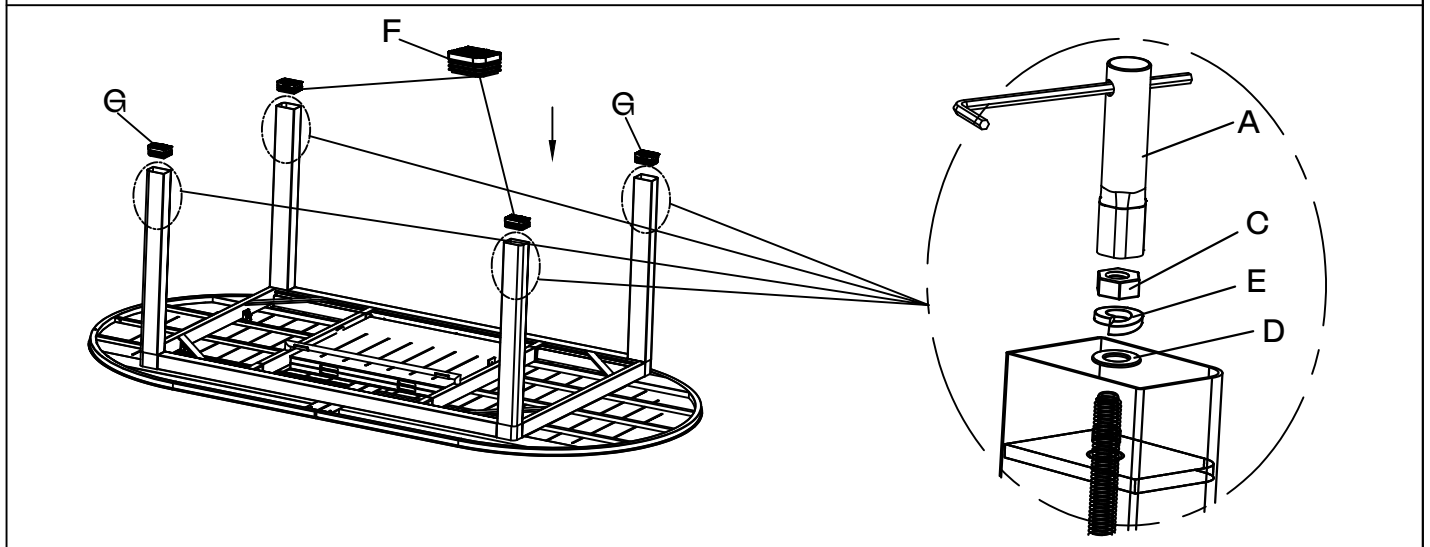
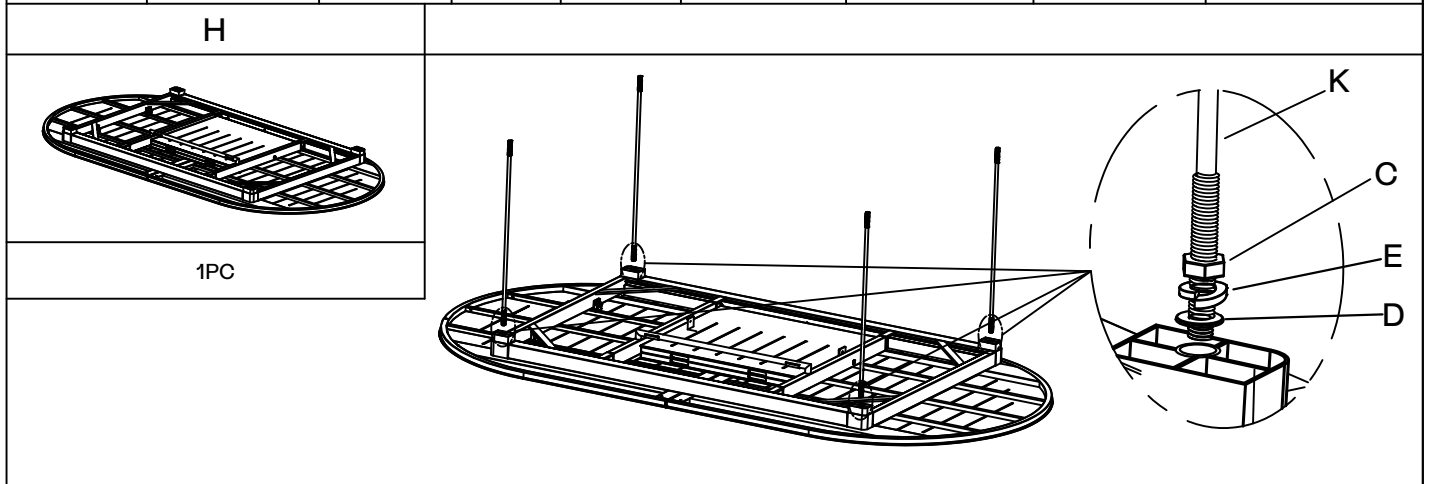
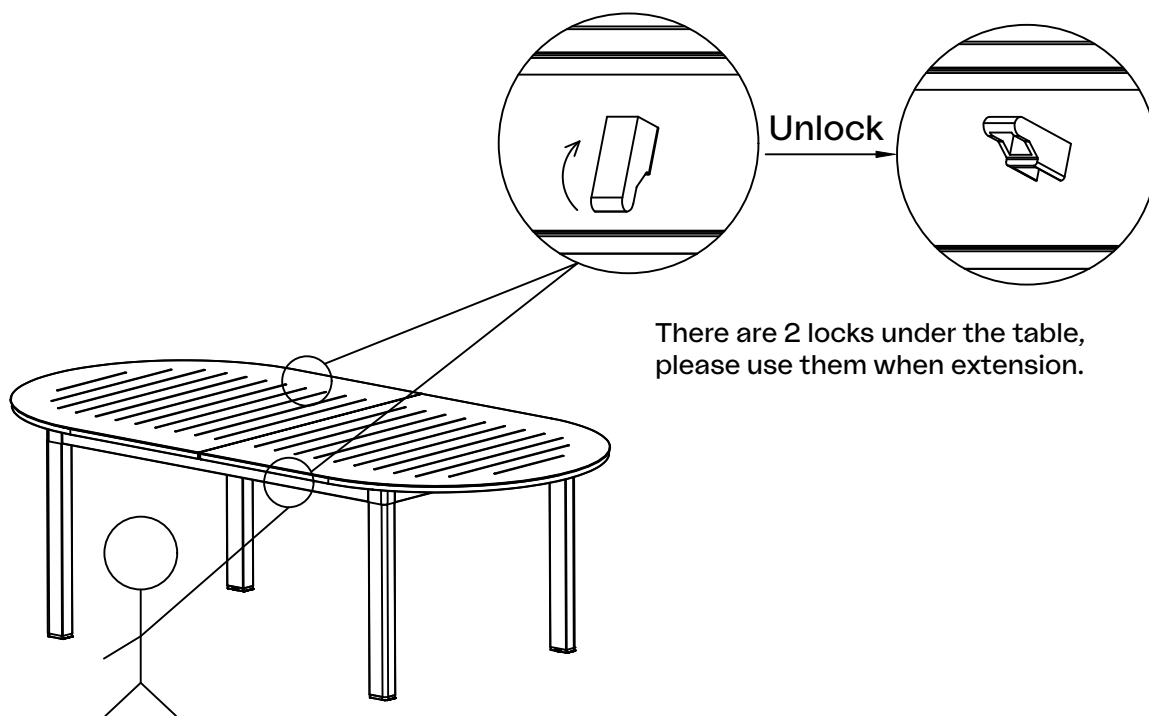


A	B	C	D	E	F	G	K	R
	 4mm							
1PC	1PC	8PCS	8PCS	8PCS	2PCS	2PCS	4PCS	4PCS





There are 4 adjust screws under the middle part, you could adjust them to make each part on same level.

