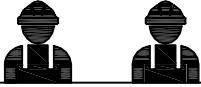

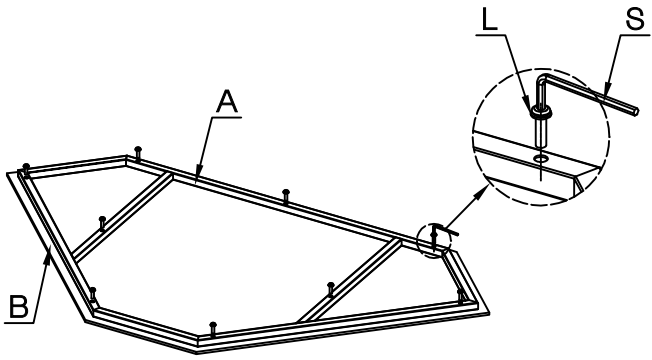

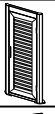
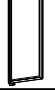
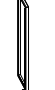


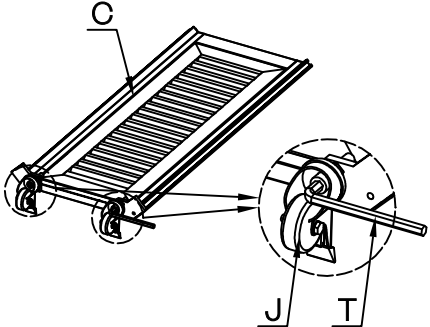

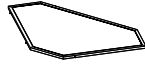
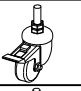
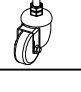
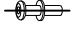
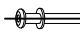
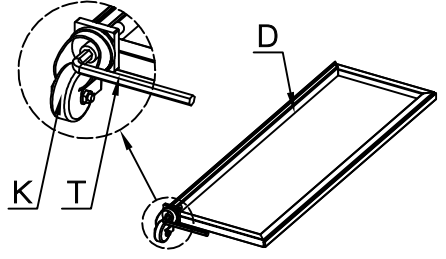
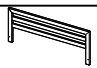




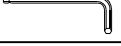
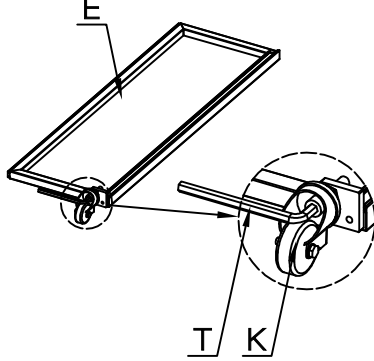
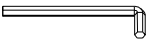
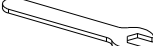
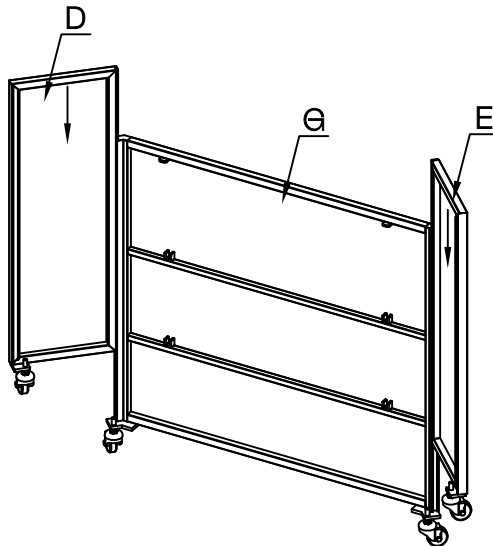


### Assembly instruction

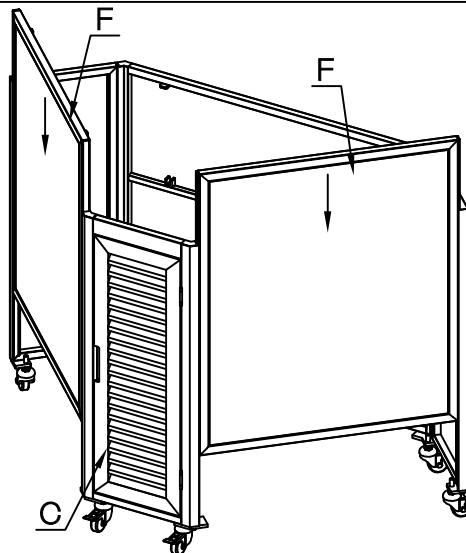
			
A		1	<p>①</p> 
B		1	
C		1	
D		1	
E		1	
F		2	
G		1	<p>②</p> 
H		1	
I		1	
J		2	
K		4	
L	 M6*25	9	
M	 M6*30 Black	6	<p>③</p> 
N		1	
O		2	
P		1	
Q		1	
R		1	
S	 M6	1	<p>④</p> 
T	 M10	1	
U	 M10	1	

### Assembly instruction

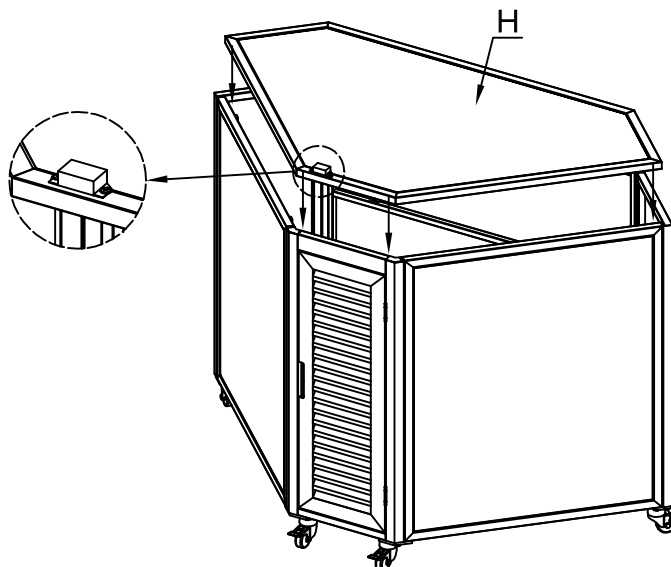
⑥



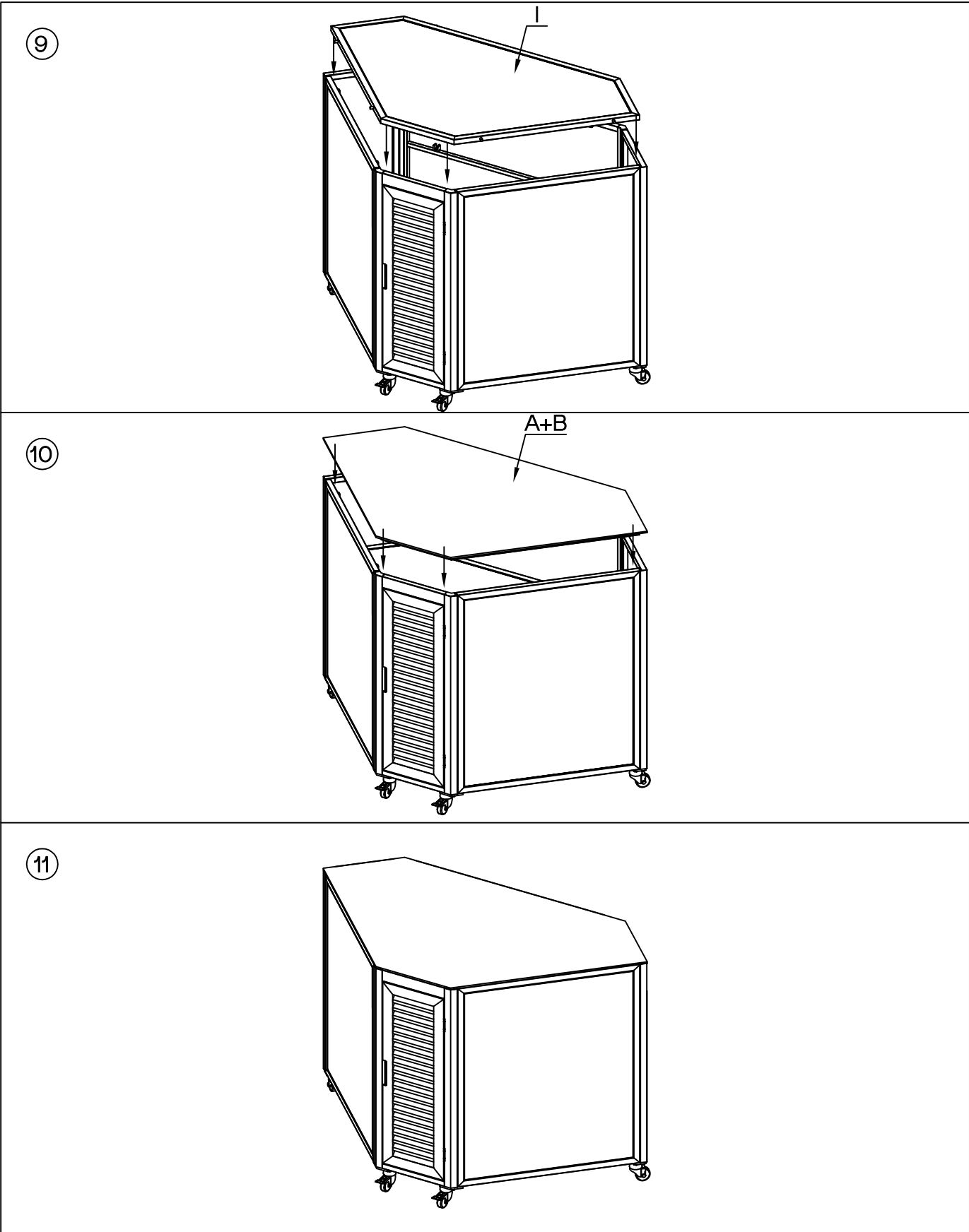
⑦



⑧

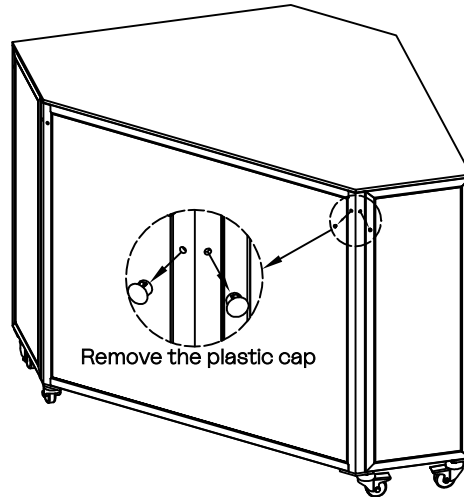


**Assembly instruction**

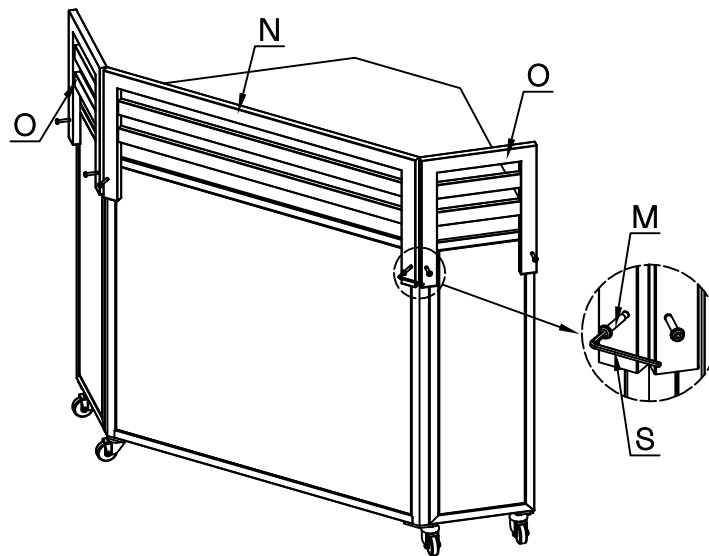


### Assembly instruction

12



13



14

