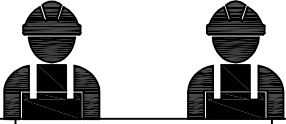
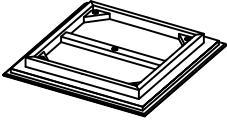
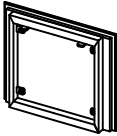
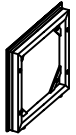
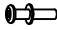

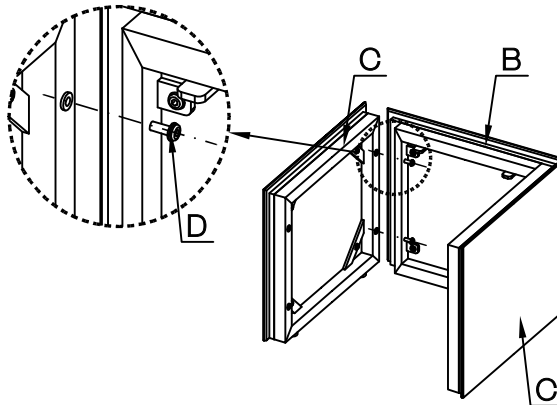
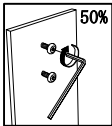


Assembly instruction

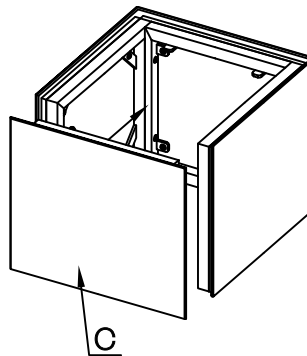
		
A		1
B		2
C		2
D	 M6*25	8
E		1

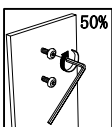
①





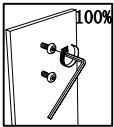
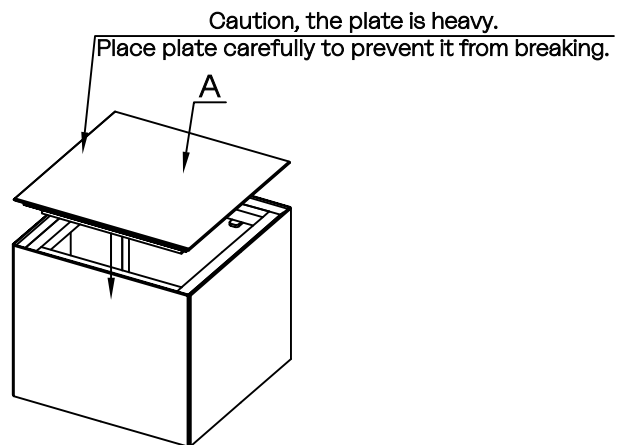
②





Assembly instruction

3



4

